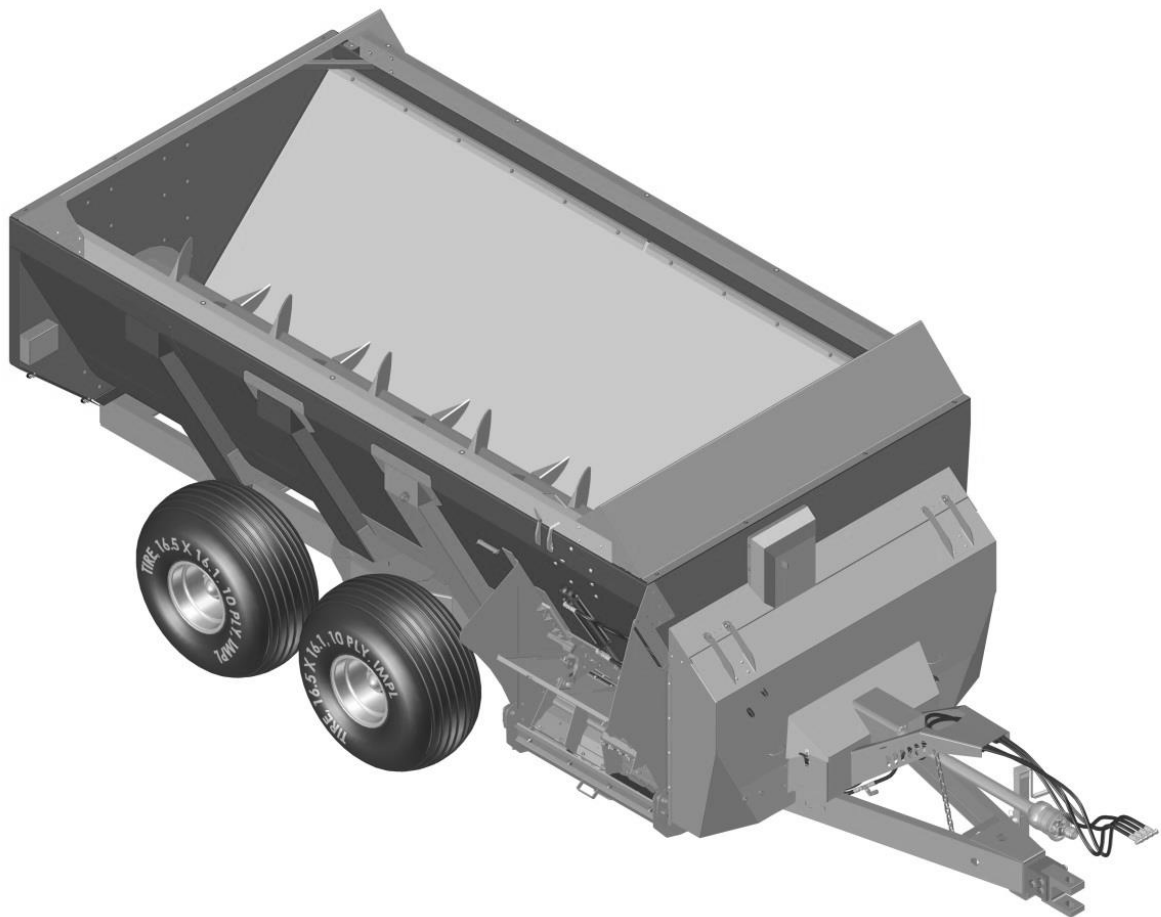


H&S PARTS BOOK

TS5234 SPREADER



Revision #02
Starting Ser. #613115

Part #72827
HSMF0216

P.O. BOX 768, MARSHFIELD, WI 54449
(715) 387-3414 FAX (715) 384-5463
www.hsmfgco.com

CONTENTS

Instructions for Ordering Parts - About Improvements	1
Figure 1 - Auger/Liner/Slides/Hitch	2-5
Figure 2 - Auger/Expeller Drive	6-9
Figure 3 - Expeller/Discharge Gate/Bearings	10-11
Figure 4 - Expeller/Discharge Gate/Door	12-13
Figure 5 - Expeller/Discharge Gate/Pan	14-15
Figure 6 - Guards/Shields	16-17
Figure 7 - Splash Guards/Rails	18-19
Figure 8 - Hydraulics	20-21
Figure 9 - Tandem Axles	22-23
Figure 10 - Oiler Kit	24-25
Figure 11 - Front Grease Lines	26-27
Figure 12 - Lighting	28
Figure 13 - Auger	29
Figure 14 - Gear Box	30-31
Figure 15 - Auger Front & Rear Hydraulic Cylinder	32
Figure 16 - Expeller Door Hydraulic Cylinder	33
Figure 17 - PTO (1000Rpm 1-3/8)	34
Figure 18 - PTO (1000Rpm1-3/4)	35
Figure 19 - Scale	36
Figure 20 - Cover Components	37-38
Figure 21 - Cover Hydraulics	39-40
Figure 22 - Cover Seal	41-42
Parts Notes	43

INSTRUCTIONS FOR ORDERING PARTS

All service parts should be ordered through your authorized H&S dealer. They will be able to give you faster service if you will provide them with the following

1. Model & Serial number is located on the main frame.
2. All reference to left or right apply to the *Top Shot* as viewed from the rear.
3. Parts should not be ordered from illustration only. Please order by complete part number.
4. If your dealer has to order parts - give shipping instructions:

VIA truck - large pieces (please specify local truck lines)

VIA United Parcel Service (include full address)

H&S MFG. CO. INC.	
MARSHFIELD, WIS.	
MOD. NO.	<input type="text"/>
SER. NO.	<input type="text"/>
DESCR.	<input type="text"/>

PLEASE RECORD NUMBERS FOR YOUR UNIT FOR QUICK REFERENCE

ABOUT IMPROVEMENTS

H&S IS CONTINUALLY STRIVING TO IMPROVE IT'S PRODUCTS

We must therefore, reserve the right to make improvements or changes whenever it becomes practical to do so without incurring any obligation to make changes or additions to the equipment previously sold.

FIGURE 1

AUGER/LINER/SLIDES/HITCH

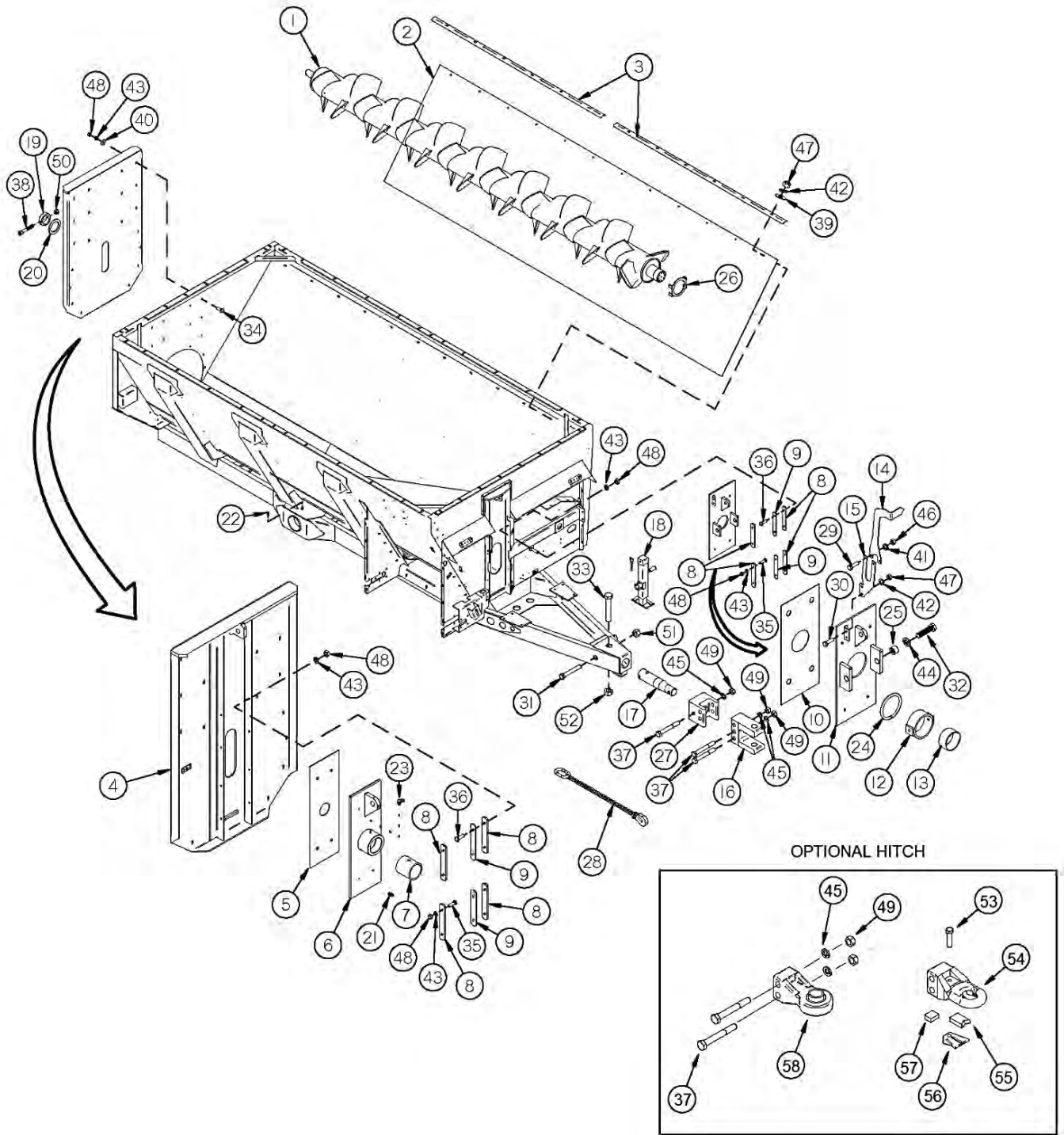


FIGURE 1

AUGER/LINER/SLIDES/HITCH

<u>ITEM</u>	<u>QTY</u>	<u>PART #</u>	<u>DESCRIPTION</u>
1	1	TS200	AUGER
2	1	TS201	TUB SIDE POLY
3	1	TS4	POLY TOP HOLD DOWN
4	1	TS202	BACK PANEL
5	1	TS7	BACK SLIDER POLY
6	1	TS8	BACK SLIDER
7	1	TS9	REAR AUGER BUSHING
8	8	TS10	SLIDER GUIDE
9	6	TS308	SLIDER GUIDE THIN
10	1	TS203	FRONT POLY SLIDE
11	1	TS204	FRONT SLIDE PLATE
12	1	TS205	TRUNNION HOUSING
13	1	TS206	FRONT AUGER BEARING
*	1	TS400	TRUNNION HOUSING WITH BEARING
14	1	TS207	AUGER INDICATOR TOP
15	1	TS208	AUGER INDICATOR BOTTOM
16	1	56310	TOPSHOT HEAVY CLEVIS
17	1	TS210	HITCH BAR STRAIGHT
18	1	TS306	JACK, SIDE WIND, 7000LBS
19	1	TS19	AUGER BACK COLLAR
20	A/R	TS227	SPACER 2-17/32" (THICK)
*	A/R	TS28	SPACER 2-17/32" (THIN)
21	1	G89	1/4" GREASE ZERK
22	1	DWM133	1/8" 45° ZERK (RIGHT SIDE AXLE)
*	1	16SV440	1/8" NPT GREASE ZERK (LEFT SIDE AXLE)
23	1	RG51	GREASE ZERK 90 DEGREE
24	1	TS229	6" RUBBER RING
25	3	TS230	BUSHING 3/4" X 7/8"

**NOTE: * MEANS NOT SHOWN
A/R: MEANS AS REQUIRED**

FIGURE 1

AUGER/LINER/SLIDES/HITCH

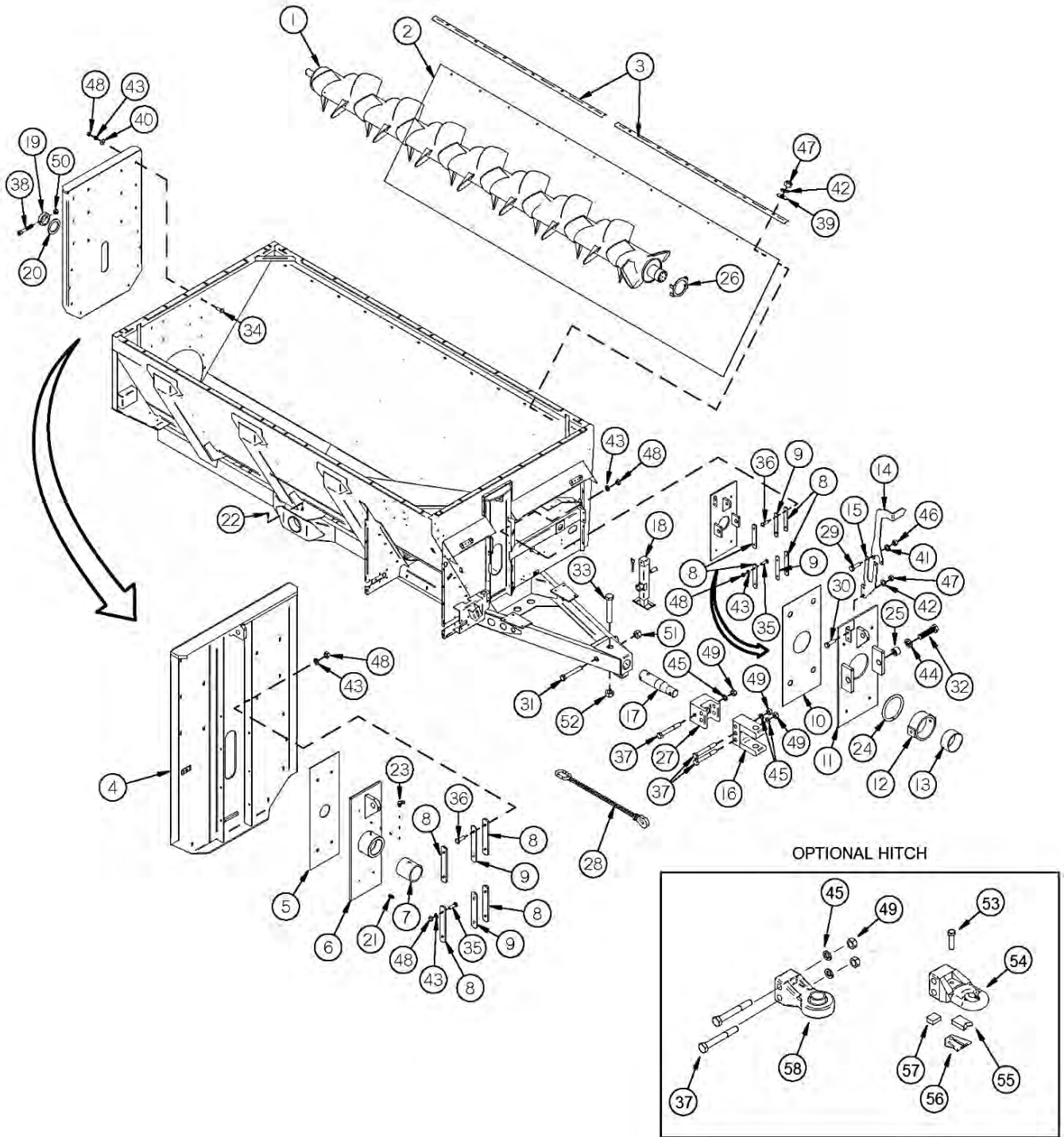


FIGURE 1

AUGER/LINER/SLIDES/HITCH

<u>ITEM</u>	<u>QTY</u>	<u>PART#</u>	<u>DESCRIPTION</u>
25	3	TS230	BUSHING 3/4" X 7/8"
26	1	TS320	WEAR PLATE 6 INCH
27	1	APX3HF41	HITCH ADAPTER
28	1	SC60000	#60000 SAFETY CHAIN (OPTIONAL)
29	1	YBHH08100	BOLT, 1/4" X 3/4" GR. 5
30	1	YBHH10105	BOLT, 5/16" X 3/4" GR. 5
31	1	YBHH20101	BOLT, HEX HEAD, 5/8" X 6" GR. 8
32	1	YBHH24018	BOLT, HEX HEAD, 3/4"-10 X 2" GR. 8, YELLOW ZINC FINISH
33	2	YBHH32026	BOLT, HEX HEAD, 1" X 6" GR. 8
34	20	YBCR12010	CARR. BOLT, 3/8" X 1" GR. 5
35	8	YBCR12020	CARR. BOLT, 3/8" X 1-1/4" GR. 5
36	8	YBCR12015	CARR. BOLT, 3/8" X 1-1/2" GR. 5
37	5	YBHH32024	BOLT, HEX HEAD, 1"-8 X 7-1/2" GR. 8
38	1	YSHS12018	SOCKET HEAD CAP SCREW, 3/8" X 4"
39	12	YWFL10005	WASHER, FLAT, 5/16" USS
40	20	YWFL12005	WASHER, FLAT, 3/8" USS
41	2	YWLO08005	WASHER, LOCK, 1/4"
42	14	YWLO10005	WASHER, LOCK, 5/16"
43	36	YWLO12005	WASHER, LOCK, 3/8"
44	2	YWLO24005	WASHER, LOCK, 3/4"
45	5	YWLO32005	WASHER, LOCK, 1"
46	2	YNHX08005	HEX NUT, 1/4"-20
47	14	YNHX10005	HEX NUT, 5/16"
48	36	YNHX12005	HEX NUT, 3/8"-16
49	5	YNHX32015	HEX NUT, 1"-8 GR. 8
50	1	YNL12005	HEX NUT, TOP LOCK, 3/8"-16
51	1	YNRL20005	HEX NUT, REVERSIBLE-SIDE LOCK, 5/8"-11
52	1	YNRL32005	HEX NUT, REVERSIBLE-SIDE LOCK, 1"-8
53	1	YBHH24051	BOLT, 3/4" X 3" GR. 5 FULL THREAD
54	1	58557	BASE, PERFECT HITCH
55	1	58558	BLOCK, V
56	1	58559	PLATE, TOP
57	1	58554	CUSHION
58	1	58290	ARTICULATING HITCH

FIGURE 2

AUGER/EXPELLER DRIVE

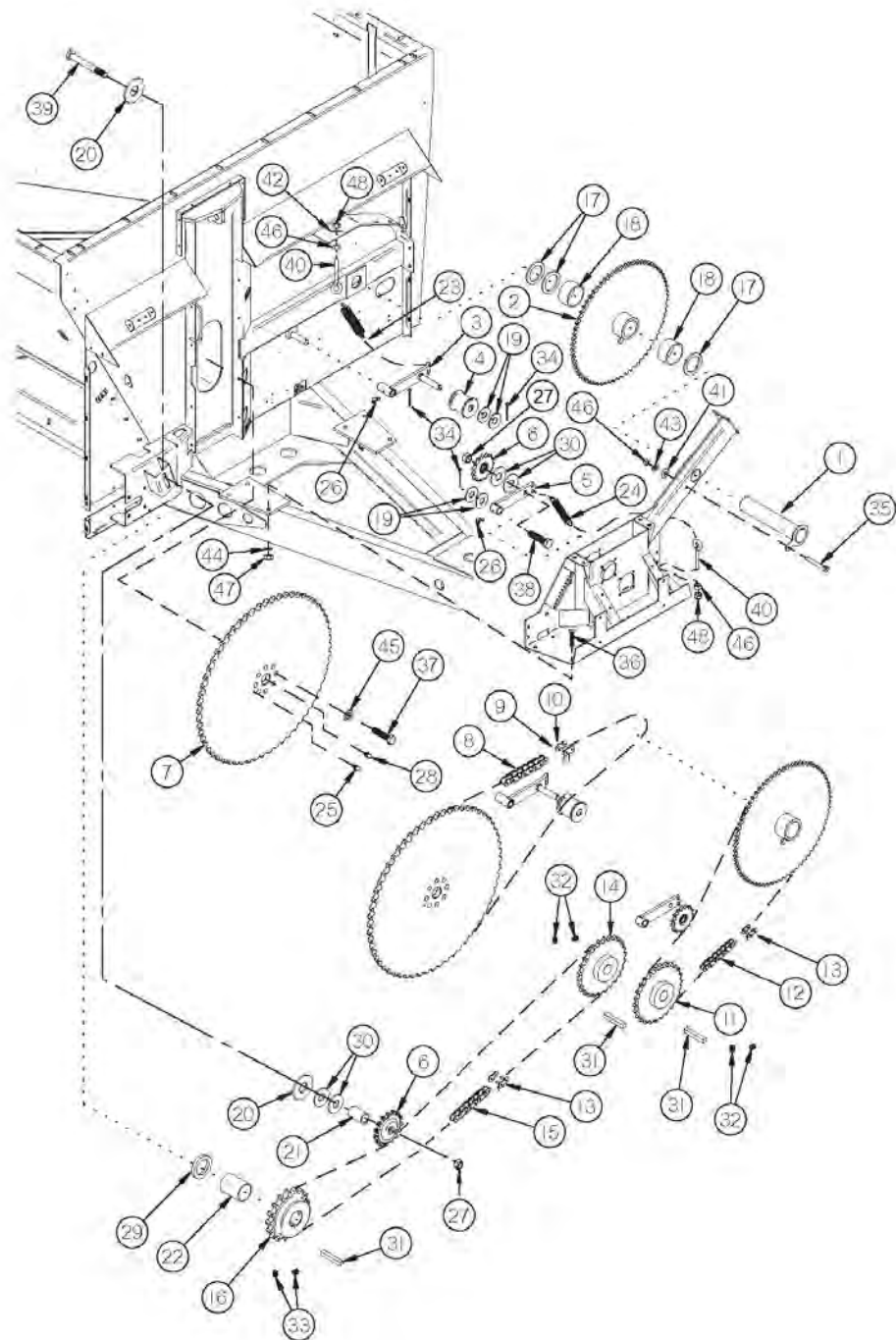


FIGURE 2

AUGER/EXPELLER DRIVE

<u>ITEM</u>	<u>QTY</u>	<u>PART #</u>	<u>DESCRIPTION</u>
1	1	TS211	COUNTER SHAFT
2	1	TS212	COUNTER SHAFT REDUCTION
3	1	TS213	AUGER CHAIN TENSIONER
4	1	TS25	ROLLER IDLER
5	1	TS214	CHAIN TENSIONER
6	2	16SV328	SPROCKET/IDLER ASSY
7	1	TS217	SPROCKET 140-B-54
8	1	TS218	CHAIN/ROLLER #140HE X 77
9	1	TS219	LINK/OFFSET (#140HE)
10	1	TS220	LINK/CONNECTOR (#140HE)
11	1	TS221	SPROCKET/DRIVE #80X14T (STANDARD, FACTORY)
*	1	TS372	SPROCKET/DRIVE #80X12T (OPTIONAL, FIELD)
*	1	TS373	SPROCKET/DRIVE #80X15T (OPTIONAL, FIELD)
*	1	TS224	SPROCKET/DRIVE #80X16T (OPTIONAL, FIELD)
12	1	TS222	CHAIN/ROLLER #80HE X 98 (14T & 15T SPROCKETS, FACTORY)
*	1	TS375	CHAIN/ROLLER #80HE X 97 (12T SPROCKET, FIELD)
*	1	TS376	CHAIN/ROLLER #80HE X 99 (16T SPROCKET, FIELD)
13	2	TS223	LINK/CONNECTOR (#80HE)
14	1	TS224	SPROCKET #80X16T (STANDARD, FACTORY)
*	1	TS372	SPROCKET #80X12T (OPTIONAL, FIELD)
*	1	TS221	SPROCKET #80X14T (OPTIONAL, FIELD)
15	1	TS225	CHAIN/ROLLER #80HE X 84 (16T SPROCKET, FACTORY)
*	1	TS379	CHAIN/ROLLER #80HE X 82 (12T SPROCKET, FIELD)
*	1	TS380	CHAIN/ROLLER #80HE X 83 (14T SPROCKET, FIELD)
16	1	TS226	SPROCKET/80-B-17
17	A/R	TS227	SPACER 2-17/32" (THICK)
*	A/R	TS28	SPACER 2-17/32" (THIN)
18	2	73576	BRZ, BSH, 2.50 X 3.00 X 3.00
19	4	S345	1" SPACER
20	2	16SV376	SPACER .780 ID

NOTE: * MEANS NOT SHOWN

A/R: MEANS AS REQUIRED

(FACTORY) MEANS PUT ON AT FACTORY

(FIELD) ORDERED FROM DEALER

FIGURE 2

AUGER/EXPELLER DRIVE

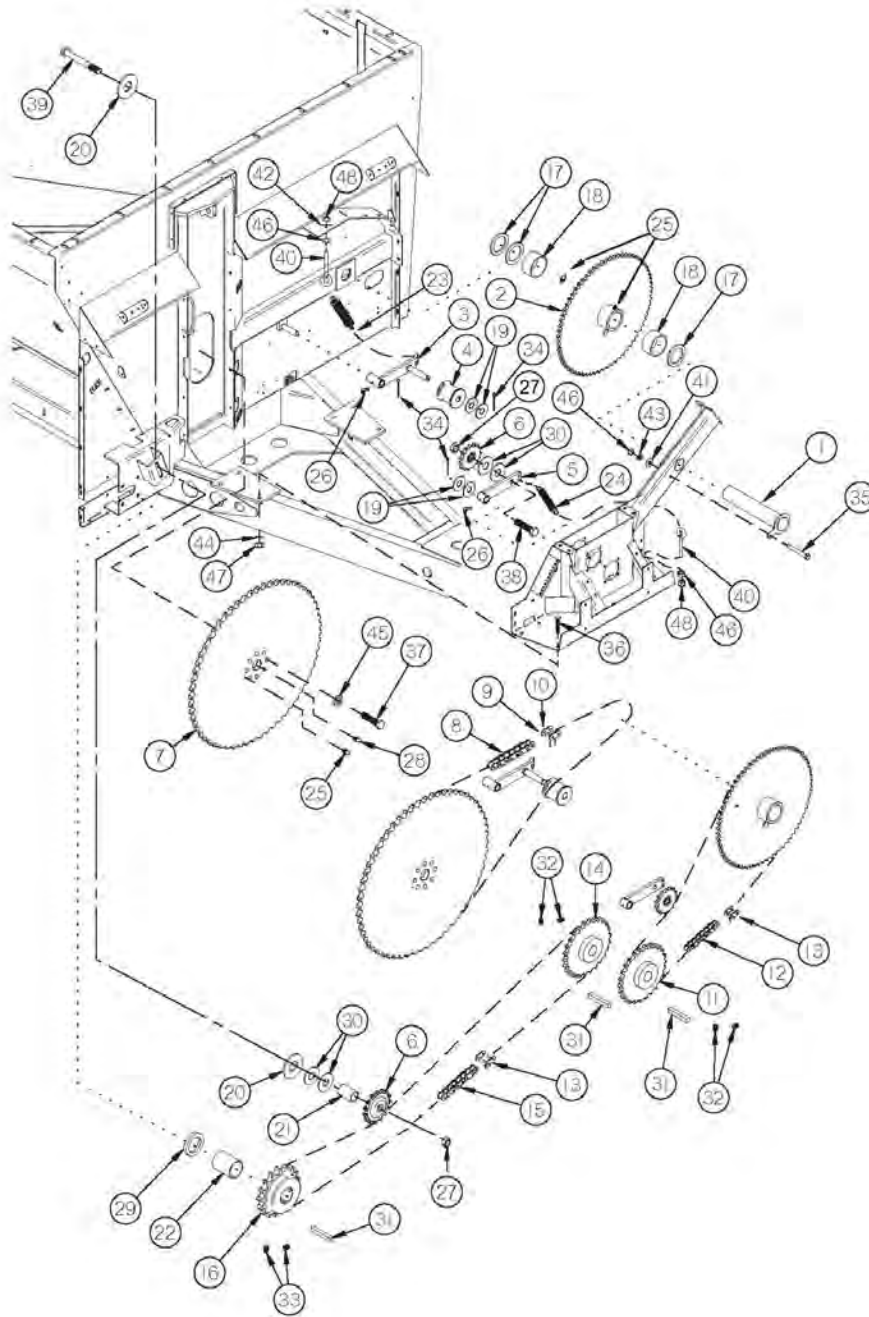


FIGURE 2

AUGER/EXPELLER DRIVE

<u>ITEM</u>	<u>QTY</u>	<u>PART #</u>	<u>DESCRIPTION</u>
21	3	TS230	BUSHING 3/4" X 7/8"
22	1	TS231	SPACER
23	1	BFR138	SPRING
24	1	10R14	SPRING/EXTENSION
25	3	G89	GREASE ZERK
26	2	RG51	GREASE ZERK 90 DEGREE
27	2	YNRL24005	HEX NUT, REVERSIBLE-SIDE LOCK, 3/4"-10
28	1	BFR28	1/8" NPT GREASE ZERK #1610 (LEFT SIDE AXLE)
29	A/R	S36	SHIM, 3/16"
*	A/R	S409	SHIM, 1/8"
30	4	T73	WASHER
31	3	G139	3/8" X 1-1/2" SQ. KEY
32	4	YSKP12025	SET SCREW, SOCKET, KNURLED CUP PT, 3/8"-16 X 3/8"
33	2	YSKP12010	SET SCREW, SOCKET, KNURLED CUP PT, 3/8"-16 X 1/2"
34	3	YPCT05010	COTTER PIN, 5/32" X 1-1/2"
35	1	YBHH12110	BOLT, 3/8" X 2-3/4" GR. 5
36	6	YBHH20010	BOLT, 5/8" X 1-1/2" GR. 5
37	8	YBHH24041	BOLT, HEX HEAD, 3/4" X 2-3/4" GR. 8
38	1	YBHH24050	BOLT, 3/4" X 3" GR. 5
39	1	YBHH24055	BOLT, 3/4" X 3-1/2" GR. 5
40	2	YBTE12025	TURNTD EYE BOLT, 3/8" X 3" FULL THREAD
41	1	YWFL10005	WASHER, FLAT, 5/16" USS
42	1	YWFL12005	WASHER, FLAT, 3/8" USS
43	1	YWLO12005	WASHER, LOCK, 3/8"
44	6	YWLO20005	WASHER, LOCK, 5/8"
45	8	YWLO24005	WASHER, LOCK, 3/4"
46	3	YNHX12005	HEX NUT, 3/8"-16
47	6	YNHX20005	HEX NUT, 5/8"-11
48	2	YNNY12005	HEX NUT, NYLON LOCKNUT, 3/8"

NOTE: * MEANS NOT SHOWN
A/R: MEANS AS REQUIRED

FIGURE 3

EXPELLER/DISCHARGE GATE/BEARINGS

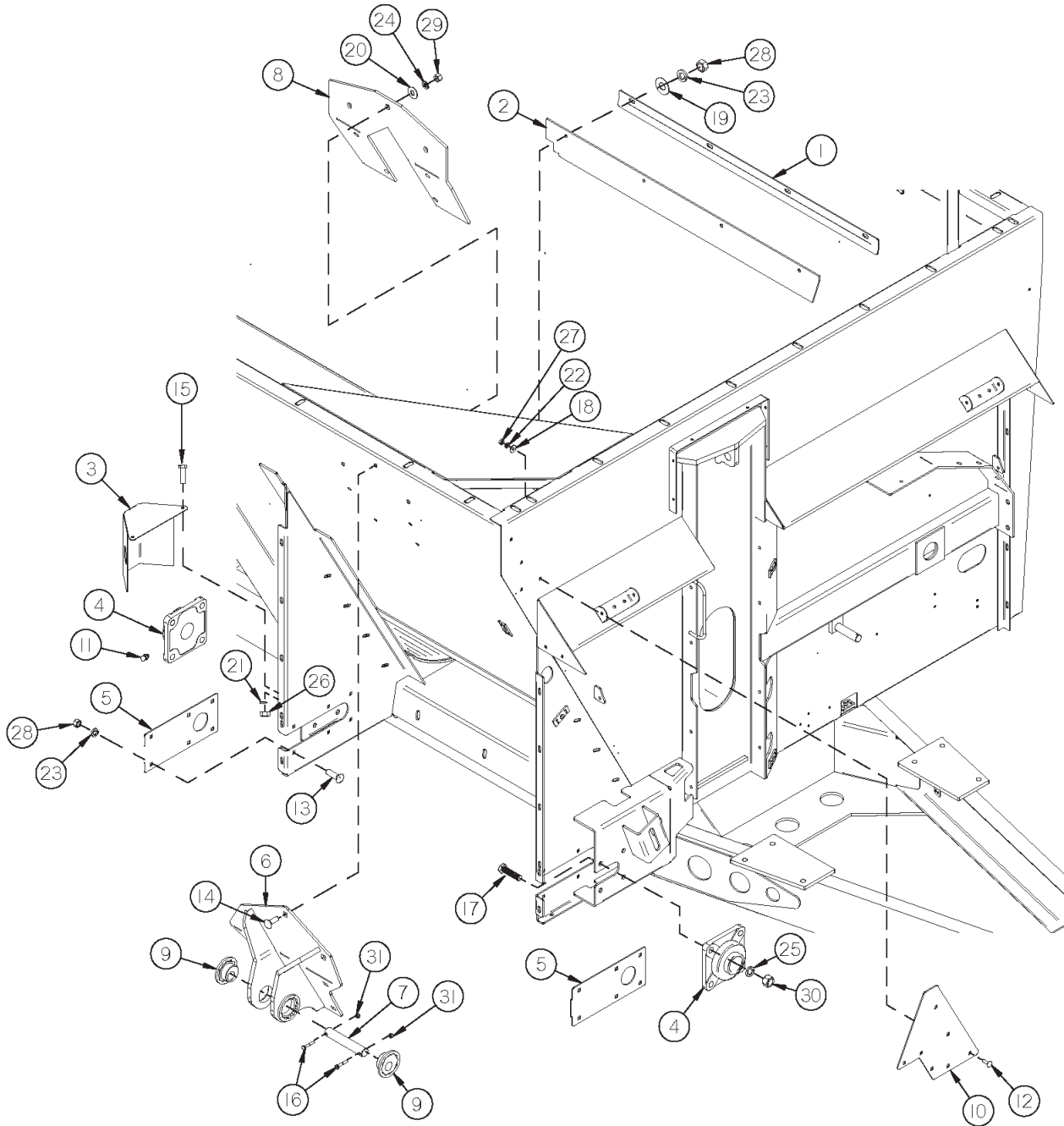


FIGURE 3

EXPELLER/DISCHARGE GATE/BEARINGS

<u>ITEM</u>	<u>QTY</u>	<u>PART #</u>	<u>DESCRIPTION</u>
1	1	TS43	DOOR SEAL CLAMP
2	1	TS44	EXPELLER DOOR TOP SEAL
3	1	TS45	EXPELLER BEARING SHIELD
4	2	HGV41	EXPELLER BEARING
5	2	TS47	COVER PLATE
6	1	APX3WE69	CYL MOUNT SUB WELD
7	1	APX3SH15	DOOR CYL TOP PIN
8	1	APX33G52	DOOR CYL REINFORCEMENT
9	2	DWM314	HEX PLUG
10	1	APX310G66	BOLT ON INDICATOR MOUNT
11	1	G89	1/4"-28 STRAIGHT GREASE ZERK
12	4	YBCR10010	CARR. BOLT, 5/16" X 1" GR. 5
13	12	YBCR12010	CARR. BOLT, 3/8" X 1" GR. 5
14	7	YBCR16010	CARR. BOLT, 1/2" X 1-1/2" GR. 5
15	2	YBHH08100	BOLT, 1/4" X 3/4" GR. 5
16	2	YBHH08025	BOLT, 1/4" X 1-1/2" GR. 5
17	8	YBHH18010	BOLT, 9/16" X 1-3/4" GR. 5
18	4	YWFL06010	WASHER, FLAT, 3/16" USS
19	4	YWFL12005	WASHER, FLAT, 3/8" USS
20	7	YWFL16005	WASHER, FLAT, 1/2" USS
21	2	YWLO08005	WASHER, LOCK, 1/4"
22	4	YWLO10005	WASHER, LOCK, 5/16"
23	16	YWLO12005	WASHER, LOCK, 3/8"
24	7	YWLO16005	WASHER, LOCK, 1/2"
25	8	YWLO18005	WASHER, LOCK, 9/16"
26	2	YNHX08005	HEX NUT, 1/4"-20
27	4	YNHX10005	HEX NUT, 5/16"
28	16	YNHX12005	HEX NUT, 3/8"-16
29	7	YNHX16005	HEX NUT, 1/2"
30	8	YNHX18005	HEX NUT, 9/16"-12
31	2	YNTL08005	HEX NUT, TOP LOCK, 1/4"-20

FIGURE 4 **EXPELLER/DISCHARGE GATE/DOOR**

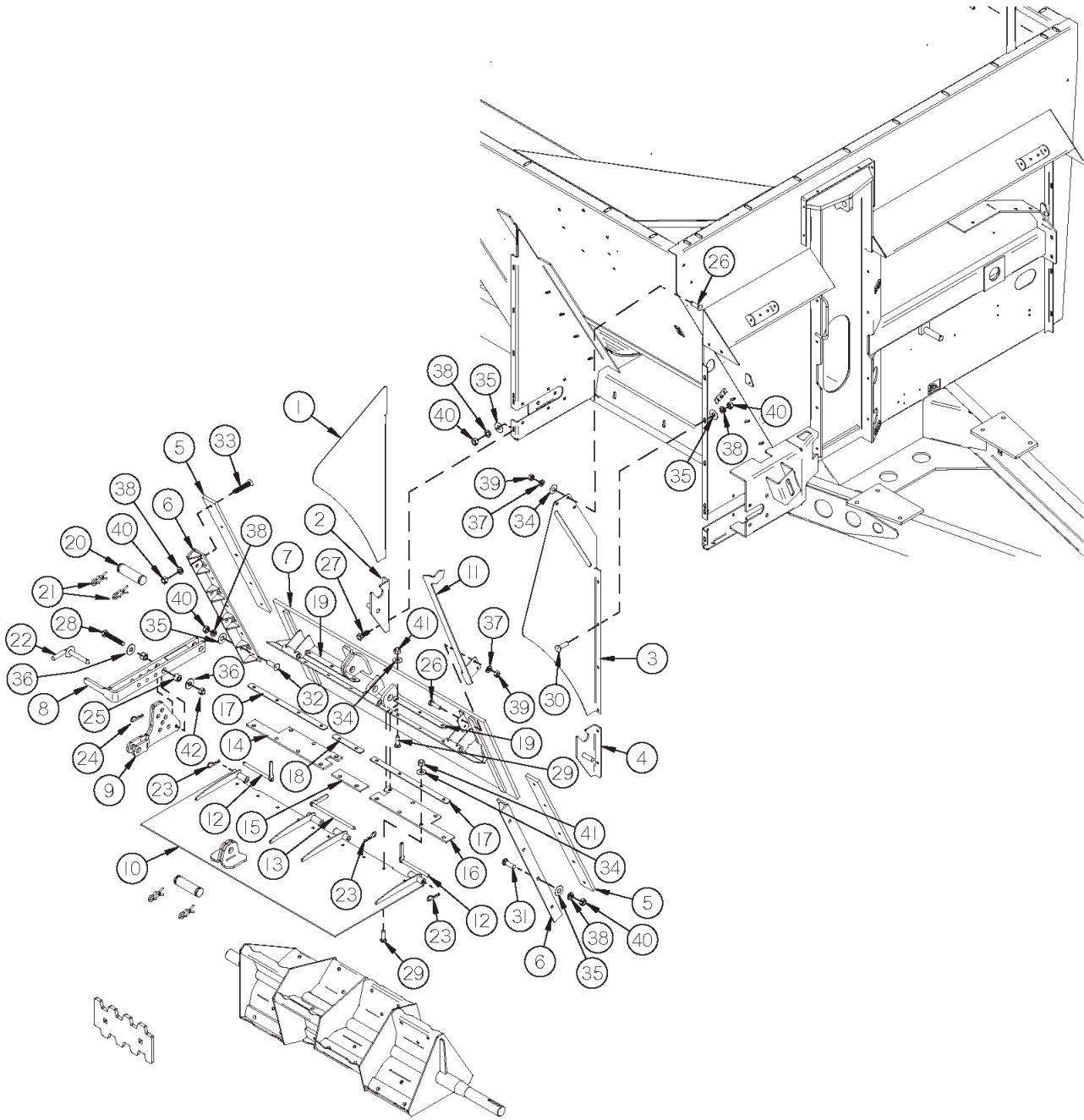


FIGURE 4

EXPPELLER/DISCHARGE GATE/DOOR

<u>ITEM</u>	<u>QTY</u>	<u>PART #</u>	<u>DESCRIPTION</u>
1	1	TS232	EXPPELLER SPOUT LEFT HAND
2	1	TS49	PAN HINGE BRACKET LEFT
3	1	TS233	EXPPELLER SPOUT RIGHT HAND
4	1	TS51	PAN HINGE BRACKET RIGHT
5	2	TS52	DOOR SLIDER POLY
6	2	TS53	EXPPELLER DOOR GUIDE
7	1	TS54	EXPPELLER DOOR
8	1	TS55	DEFLECTOR ADJUSTMENT HANDLE
9	1	TS56	DEFLECTOR ADJUSTMENT LINK
10	1	TS57	ADJUSTABLE FLAT DEFLECTOR
11	1	TS58	DOOR INDICATOR
12	2	TS59	DEFLECTOR SIDE PIN
13	1	TS60	DEFLECTOR MID PIN
14	1	TS61	DEFLECTOR SEAL LEFT
15	1	TS62	DEFLECTOR SEAL MID
16	1	TS63	DEFLECTOR SEAL RIGHT
17	2	TS64	SEAL STRAP LONG
18	1	TS65	SEAL STRAP MID
19	2	TS66	SEAL STRAP SHORT
20	2	T143	CYLINDER PIN
21	4	T144	CLIP PIN
22	1	TS69	CASTER LOCKING PIN
23	3	X97	HAIR PIN
24	1	WM378	HAIR PIN W/ LANYARD
25	2	TS307	HANDLE PIVOT
26	5	YBHH10105	BOLT, 5/16" X 3/4" GR. 5
27	4	YBHH12010	BOLT, 3/8" X 1" GR. 5
28	1	YBHH16105	BOLT, 1/2" X 3" GR. 5
29	16	YBCR10010	CARR. BOLT, 5/16" X 1" GR. 5
30	8	YBCR12010	CARR. BOLT, 3/8" X 1" GR. 5
31	7	YBCR12020	CARR. BOLT, 3/8" X 1-1/4" GR. 5
32	1	YBCR12015	CARR. BOLT, 3/8" X 1-1/2" GR. 5
33	10	YSFS12005	FLAT HEAD SOCKET CAP SCREW, 3/8" X 1-1/4"
34	19	YWFL10005	WASHER, FLAT, 5/16" USS
35	20	YWFL12005	WASHER, FLAT, 3/8" USS
36	2	YWFL16005	WASHER, FLAT, 1/2" USS
37	5	YWLO10005	WASHER, LOCK, 5/16"
38	30	YWLO12005	WASHER, LOCK, 3/8"
39	5	YNHX10005	HEX NUT, 5/16"
40	30	YNHX12005	HEX NUT, 3/8"-16
41	16	YNTL10005	HEX NUT, TOP LOCK, 5/16"-18
42	1	YNTL16005	HEX NUT, TOP LOCK, 1/2"-13

FIGURE 5

EXPELLER/DISCHARGE GATE/PAN

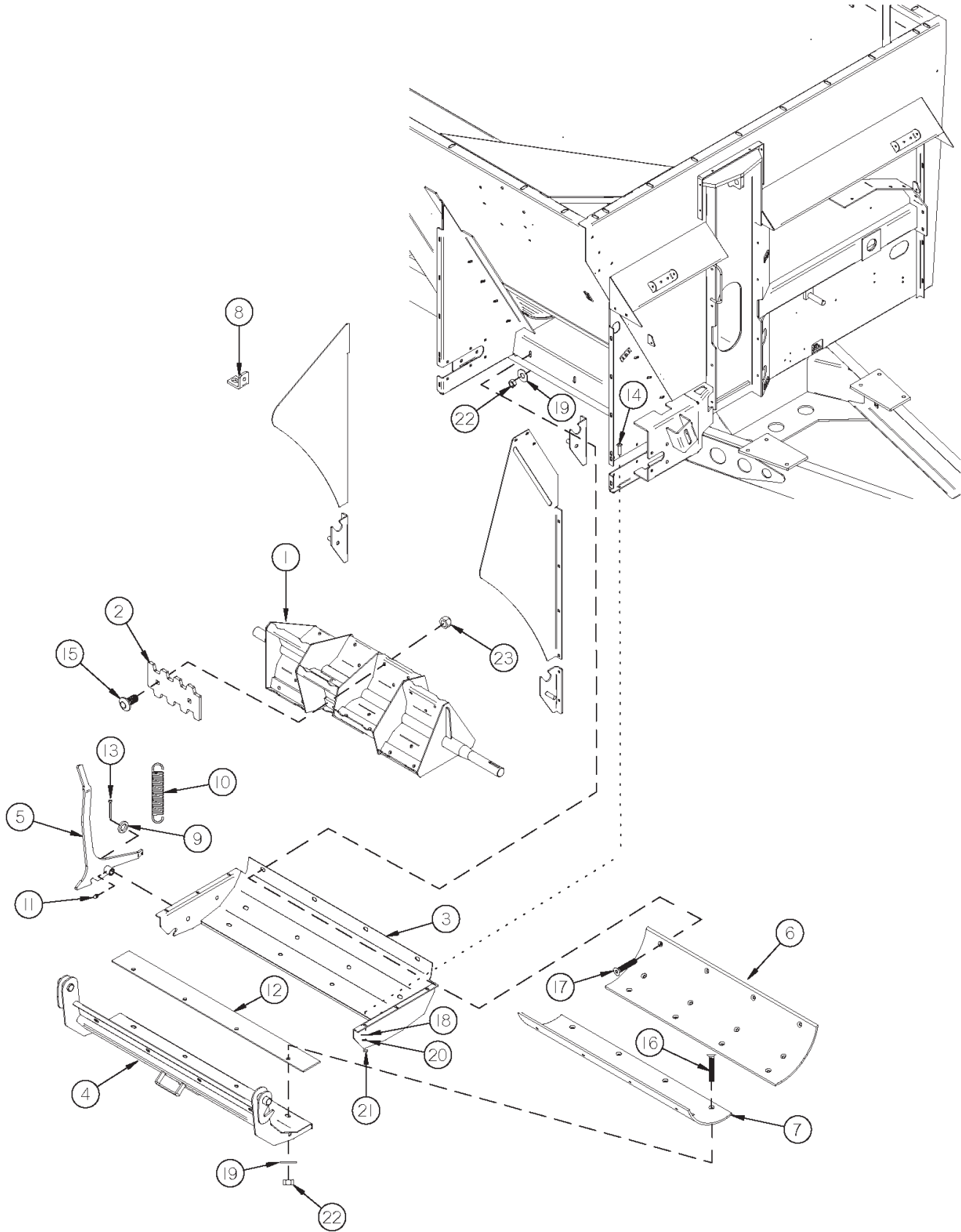


FIGURE 5

EXPELLER/DISCHARGE GATE/PAN

<u>ITEM</u>	<u>QTY</u>	<u>PART #</u>	<u>DESCRIPTION</u>
1	1	69616	EXPELLER
2	12	TS68	EXPELLER PADDLE
3	1	TS72	SWING AWAY PAN FRAME
4	1	TS73	SWING AWAY PAN
5	1	TS74	PAN LATCH HANDLE
6	1	TS75	EXPELLER BACK POLY
7	1	TS76	EXPELLER PAN POLY
8	1	56N146	SHIELD ANGLE
9	3	T73	SPACER
10	1	K103	SPRING
11	1	G89	1/4"-28 STRAIGHT GREASE ZERK
12	1	TS18	PAN RUBBER SEAL
13	1	YPCT06010	COTTER PIN, 3/16" X 1-1/4"
14	6	YBCR10010	CARR. BOLT, 5/16" X 1" GR. 5
15	24	YBCR16019	SHAKER SCREEN BOLT, 1/2" X 1-3/4" GR. 8
16	20	YSFS16010	FLAT HEAD SOCKET CAP SCREW, 1/2" X 1-1/2"
17	4	YSFS16020	FLAT HEAD SOCKET CAP SCREW, 1/2" X 1-3/4"
18	6	YWFL10005	WASHER, FLAT, 5/16" USS
19	24	YWFL16005	WASHER, FLAT, 1/2" USS
20	6	YWLO10005	WASHER, LOCK, 5/16"
21	6	YNHX10005	HEX NUT, 5/16"
22	24	YNRL16005	HEX NUT, REVERSIBLE-SIDE LOCK, 1/2"-13
23	24	YNTL16006	HEX NUT, TOP LOCK, 1/2"-13 GR. 9

FIGURE 6

GUARDS/SHIELDS

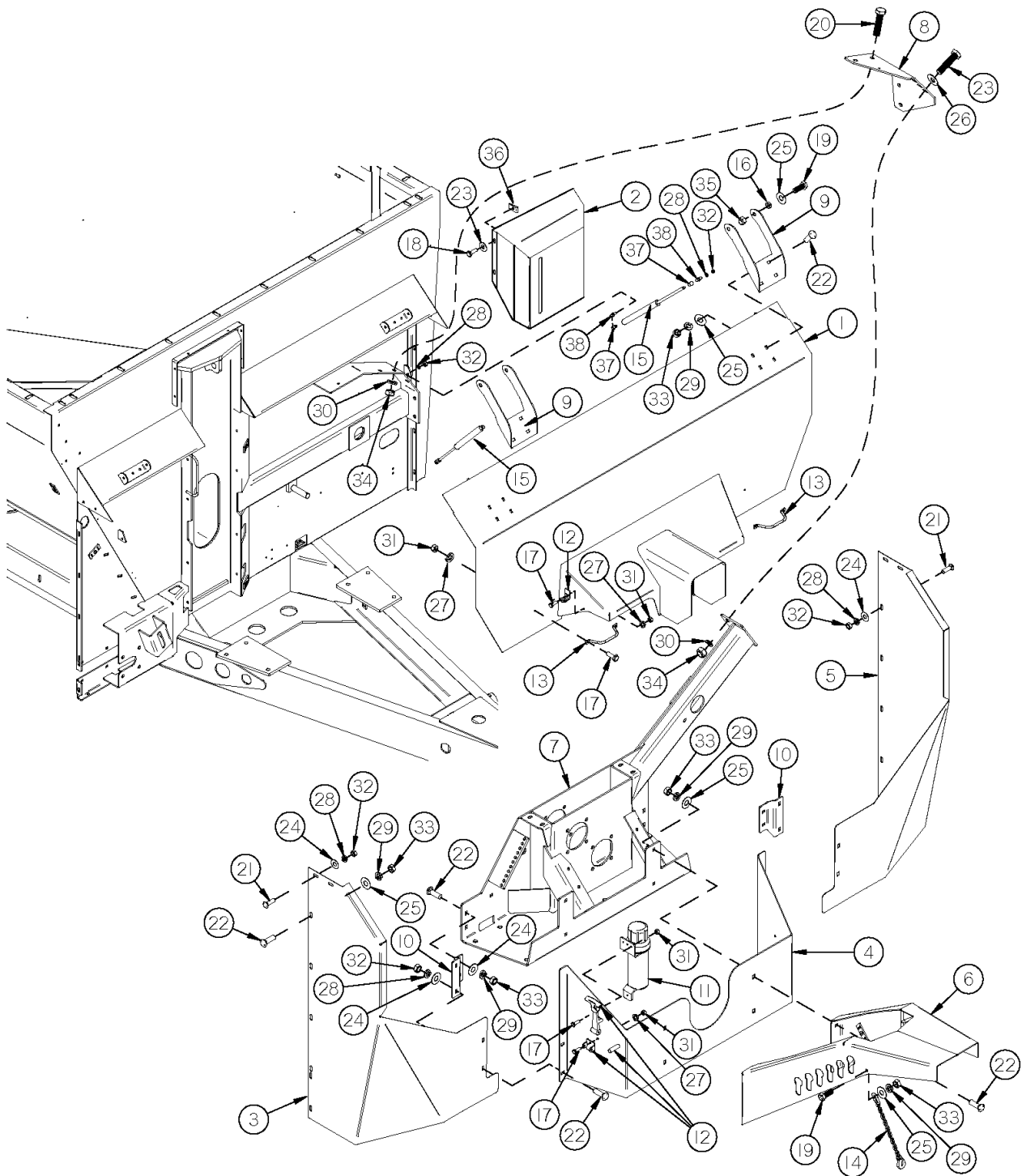


FIGURE 6

GUARDS/SHIELDS

<u>ITEM</u>	<u>QTY</u>	<u>PART #</u>	<u>DESCRIPTION</u>
1	1	TS234	FRONT SHIELD
2	1	TS235	FRONT CYLINDER COVER
3	1	TS236	FRONT SHIELD RIGHT SIDE
4	1	TS237	GEARBOX SHIELD
5	1	TS238	FRONT SHIELD LEFT SIDE
6	1	TS239	HOSE HOLDER
7	1	TS240	GEARBOX
8	1	TS241	JACKSHAFT BRACE
9	2	TS242	SHIELD HINGE
10	2	TS243	FRONT SHIELD MOUNT
11	1	S522	MANUAL HOLDER COMPLETE
12	2	X233	LATCH
13	2	TS96	SHIELD HANDLE
14	1	TS130	CHAIN PTO HOLDER
15	2	TS244	GAS STRUT
16	4	GM180	SPACER
17	11	YBHH08015	BOLT, 1/4" X 1/2" GR. 5
18	4	YBHH08100	BOLT, 1/4" X 3/4" GR. 5
19	5	YBHH12010	BOLT, 3/8" X 1" GR. 5
20	8	YBHH20010	BOLT, 5/8" X 1-1/2" GR. 5
21	8	YBCR10030	CARR. BOLT, 5/16" X 3/4" GR. 5
22	24	YBCR12010	CARR. BOLT, 3/8" X 1" GR. 5
23	4	YWFL08005	WASHER, FLAT, 1/4" USS
24	8	YWFL10005	WASHER, FLAT, 5/16" USS
25	29	YWFL12005	WASHER, FLAT, 3/8" USS
26	3	YWFL20005	WASHER, FLAT, 5/8" USS
27	8	YWLO08005	WASHER, LOCK, 1/4"
28	14	YWLO10005	WASHER, LOCK, 5/16"
29	25	YWLO12005	WASHER, LOCK, 3/8"
30	8	YWLO20005	WASHER, LOCK, 5/8"
31	11	YNHX08005	HEX NUT, 1/4"-20
32	14	YNHX10005	HEX NUT, 5/16"
33	25	YNHX12005	HEX NUT, 3/8"-16
34	8	YNHX20005	HEX NUT, 5/8"-11
35	4	YNTL12005	HEX NUT, TOP LOCK, 3/8"-16
36	4	YNUN08005	EXTRUDED U NUT, 1/4"-20
37	4	TS383	10MM BALL - GAS SPRING
38	4	TS382	10MM BALL MOUNT

FIGURE 7

SPLASH GUARDS/RAILS

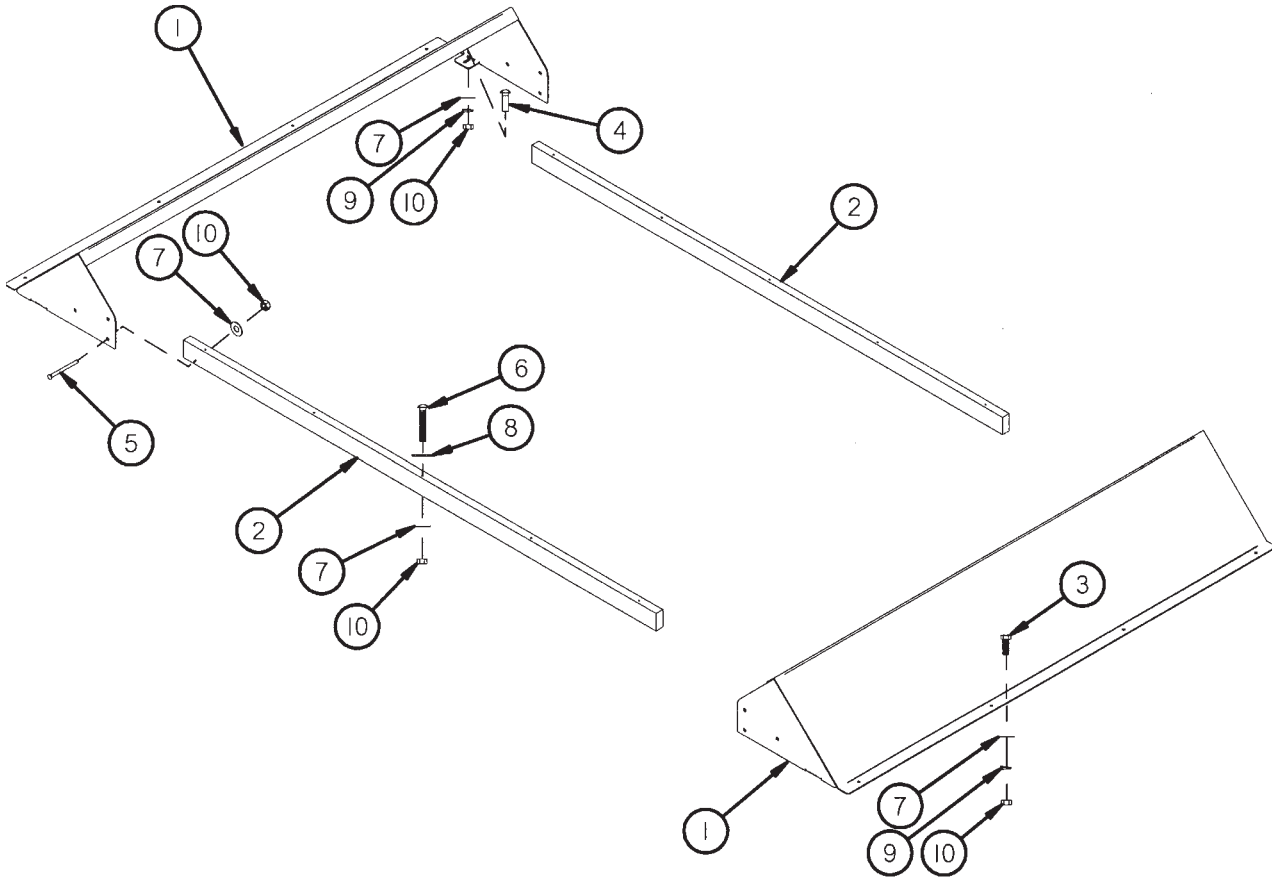


FIGURE 7

SPLASH GUARDS/RAILS

<u>ITEM</u>	<u>QTY</u>	<u>PART #</u>	<u>DESCRIPTION</u>
1	2	TS245	SPLASH GUARD
2	2	TS100	WOOD RAIL
3	8	YBHH12010	BOLT, 3/8" X 1" GR. 5
4	4	YBCR12010	CARR. BOLT, 3/8" X 1" GR. 5
5	12	YBCR12080	CARR. BOLT, 3/8" X 3-1/4" GR. 5
6	10	YBCR12125	CARR. BOLT, 3/8" X 6-1/2" GR. 2
7	34	YWFL12005	WASHER, FLAT, 3/8" USS
8	10	YWFL16005	WASHER, FLAT, 1/2" USS
9	12	YWLO12005	WASHER, LOCK, 3/8"
10	34	YNHX12005	HEX NUT, 3/8"-16

FIGURE 8

HYDRAULICS

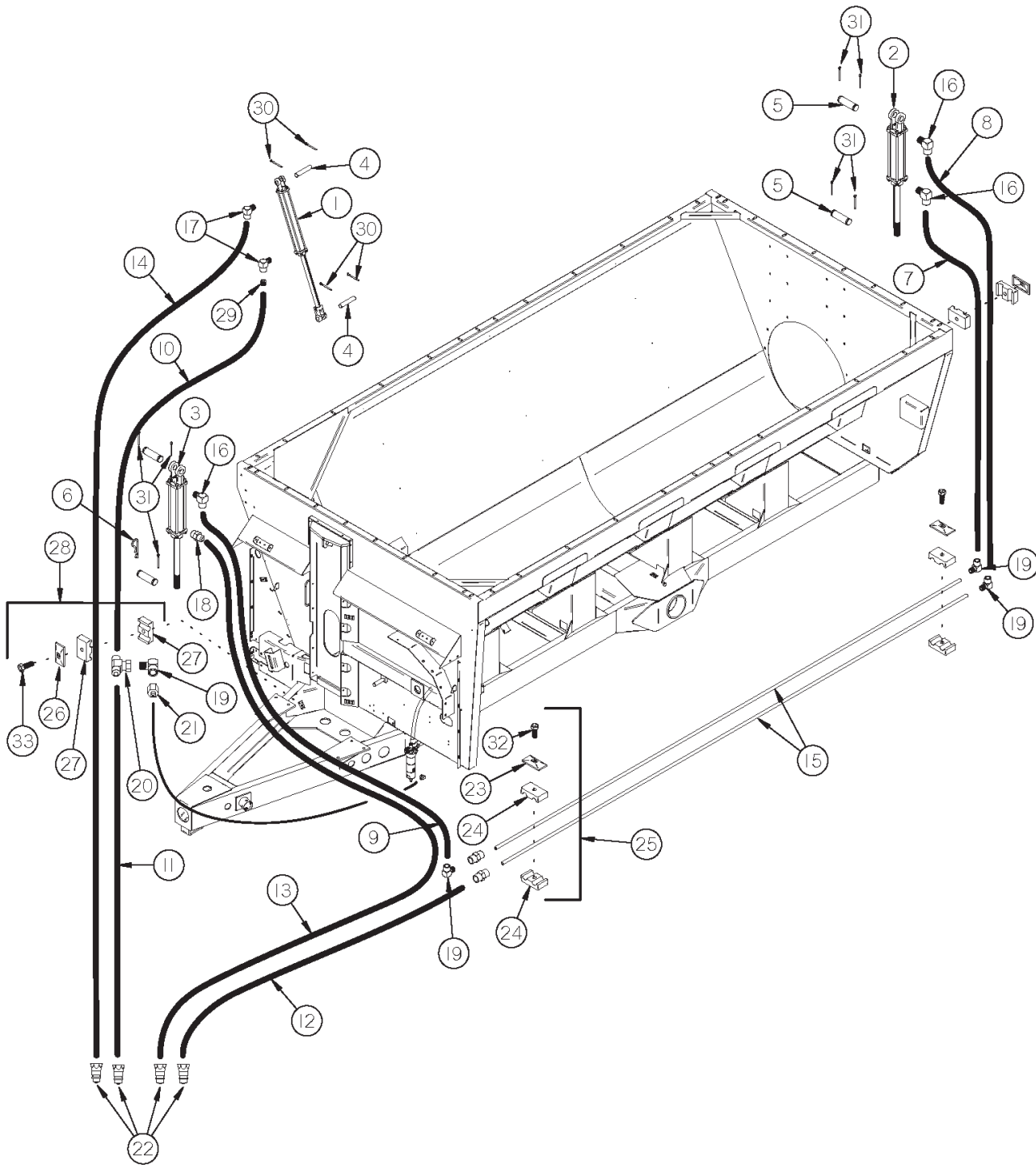


FIGURE 8

HYDRAULICS

<u>ITEM</u>	<u>QTY</u>	<u>PART #</u>	<u>DESCRIPTION</u>
1	1	23N111A	2 X 16 CYLINDER
*	1	56015	2 X 16 CYLINDER
2	1	TS105	3-1/4 x 8 CYLINDER
3	1	TS104	3 X 8 CYLINDER
4	2	LW55	CYLINDER PIN
5	4	T143	CYLINDER PIN
6	1	YPHR02010	HAIR PIN, #21-07
7	1	TS115	HYDRAULIC HOSE 1/2" X 49" -8 JIC FEMALE SWIVEL & -8 JIC MALE
8	1	TS247	HYDRAULIC HOSE 1/2" X 60" -8 JIC FEMALE SWIVEL & -8 JIC MALE
9	1	TS248	HYDRAULIC HOSE 1/2" X 66" -8 JIC FEMALE SWIVEL & -8 JIC MALE
10	1	TS249	HYDRAULIC HOSE 1/2" X 81" -8 JIC FEMALE SWIVEL & -8 JIC FEMALE SWIVEL
11	1	TS250	HYDRAULIC HOSE 1/2 X 118" -8 JIC FEMALE SWIVEL & 1/2 MP
12	1	TS251	HYDRAULIC HOSE 1/2 X 132" -8 JIC MALE & 1/2 MP
13	1	TS252	HYDRAULIC HOSE 1/2 X 184" -8 JIC FEMALE SWIVEL & 1/2 MP
14	1	TS253	HYDRAULIC HOSE 1/2 X 208" -8 JIC FEMALE SWIVEL & 1/2 MP
15	2	TS116	HYDRAULIC LINE
16	3	TS135	-8 MALE O-RING TO -8 MALE JIC 90°
17	2	TS136	3/8" MALE PIPE TO -8 MALE JIC 90°
18	1	TS137	-8 MALE O-RING TO -8 MALE JIC
19	4	TFM83	-8 FEMALE JIC SWIVEL TO -8 MALE JIC 90°
20	1	TS139	-8 JIC SWIVEL BRANCH TEE
21	1	TS299	-8 MALE JIC TO 3/8" FEMALE PIPE
22	4	DWM205	QUICK COUPLER MALE
23	3	TS117	LINE CLAMP CAP
24	6	TS118	LINE CLAMP BLOCK
25	3	TFM91	DOUBLE STEEL LINE CLAMP
26	11	GM69	LINE CLAMP CAP
27	22	GM70	LINE CLAMP BLOCK
28	11	GM9	HOSE CLAMP 1/2" TWIN (COMPLETE)
29	1	TS197	ORIFICE .031
30	4	YPCT05010	COTTER PIN, 5/32" X 1-1/2"
31	7	YPCT06005	COTTER PIN, 3/16" X 1-1/2"
32	3	YBHH10030	BOLT, 5/16" X 1-1/2" GR. 5
33	11	YBHH10055	BOLT, 5/16" X 1-3/4" GR. 5

NOTE: * MEANS NOT SHOWN

FIGURE 9

TANDEM AXLES

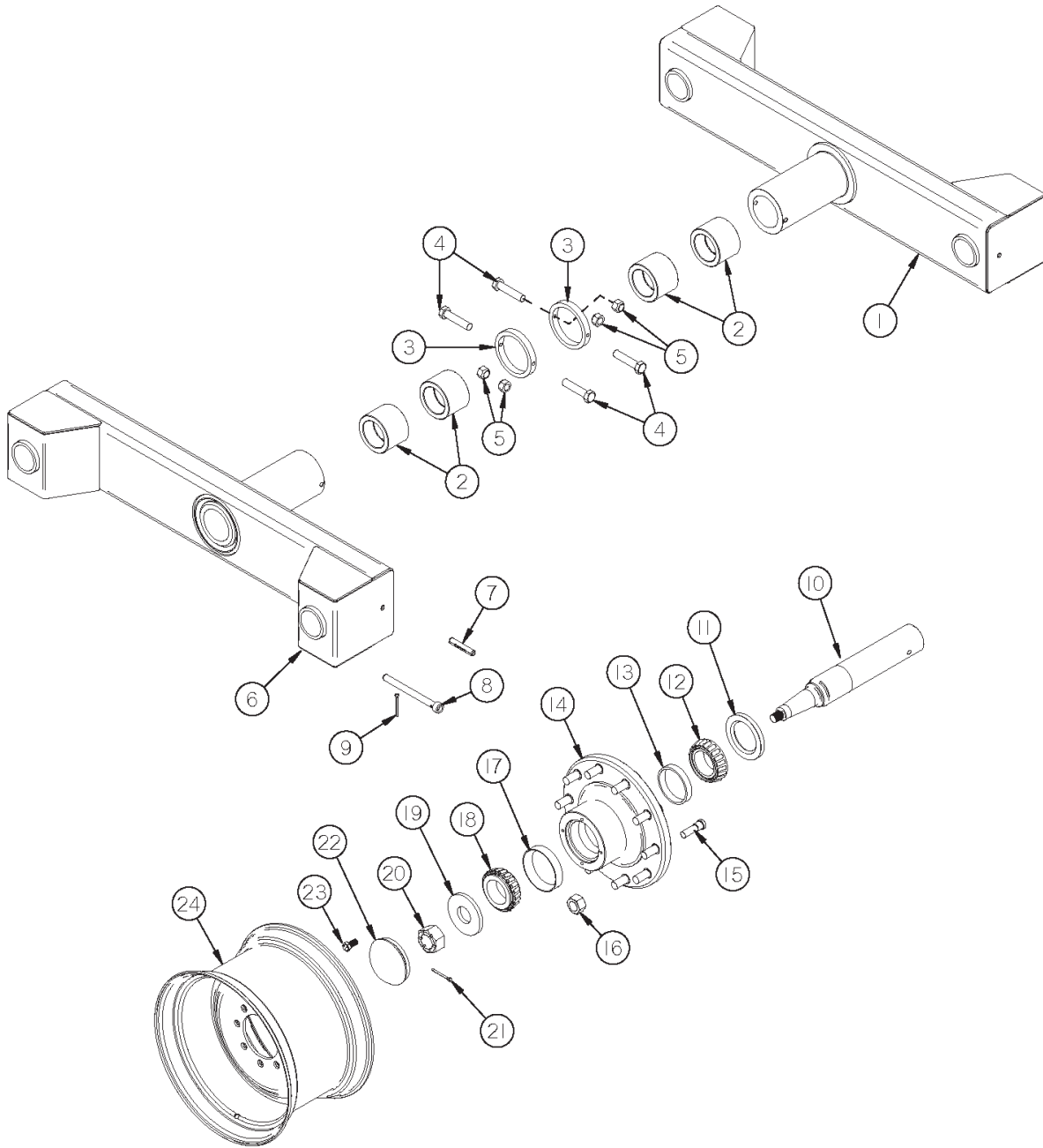


FIGURE 9

TANDEM AXLES

<u>ITEM</u>	<u>QTY</u>	<u>PART #</u>	<u>DESCRIPTION</u>
1	1	TS254	TANDEM AXLE LEFT 12000 LB
*	1	TS255	TANDEM AXLE LEFT 15000 LB (OPTIONAL)
2	4	70145	BUSHING, NYLATRON, 6.50" OD X 6.00" ID X 3"
3	4	TS257	COLLAR FOR AXLE
4	4	YBHH16095	BOLT, 1/2" X 2-1/4" GR. 5
5	4	YNTL16005	HEX NUT, TOP LOCK, 1/2"-13
6	1	TS258	TANDEM AXLE RIGHT 12000 LB
*	1	TS259	TANDEM AXLE RIGHT 15000 LB (OPTIONAL)
7	4	YPEX16020	ROLL PIN
8	4	TS260	SPINDLE PIN (USED WITH OPTIONAL TANDEM ONLY)
9	4	YPCT06020	COTTER PIN, 3/16" X 2" (USED WITH OPTIONAL TANDEM)
10	4	TS46	TANDEM SPINDLE
*	4	TS394	TANDEM SPINDLE (15000 LB HUB)
11	4	60N5	SEAL
*	4	TS387	SEAL
12	4	60N7	INNER BEARING
*	4	TS388	INNER BEARING
13	4	60N6	INNER RACE
*	4	TS389	INNER RACE
14	4	60N8	HUB 10 BOLT 12000# (INC. INNER/OUTER RACES & STUD BOLTS)
*	4	TS395	HUB 10 BOLT 15000# (INC. INNER/OUTER RACES & STUD BOLTS)
*	4	TS261	HUB 10 BOLT 15000 LBS W/ SPINDLE
15	40	YBSD24010	STUD BOLT, 3/4"-16 UNF X 2-3/4" (3/4" SHOULDER) WHEEL
16	40	YNWL24005	NUT, 3/4"-16 UNF GR. 8
17	4	60N10	OUTER RACE
*	4	TS390	OUTER RACE
18	4	60N9	OUTER BEARING
*	4	TS391	OUTER BEARING
19	4	60N2	WASHER
*	4	TS392	WASHER
20	4	YNCA36005	HEX NUT, CASTLE, 1-1/4"-12
*	4	YNL44005	HEX NUT, SLOTTED, 2"-12
21	4	YPCT07005	COTTER PIN, 7/32" X 2"
*	4	YPCT10020	COTTER PIN, 5/16" X 4"
22	4	60N11	HUB CAP
*	4	TS393	HUB CAP
*	4	56234	HUB CAP GASKET
23	16	YBHH10020	BOLT, 5/16" X 1/2" GR. 5
24	4	60N15	WHEEL 13.5 X 22.5 (10 BOLT)
*	4	60N16	WHEEL 18 X 16.1
*	4	TS262	WHEEL 24 X 22.5
*	4	TS341	WHEEL 13.5 X 20, 10 HOLE
*	4	54502	HUB ASSEMBLY W/SPINDLE
*	4	54492	HUB ASSEMBLY

NOTE: * MEANS NOT SHOWN

FIGURE 10

OILER KIT

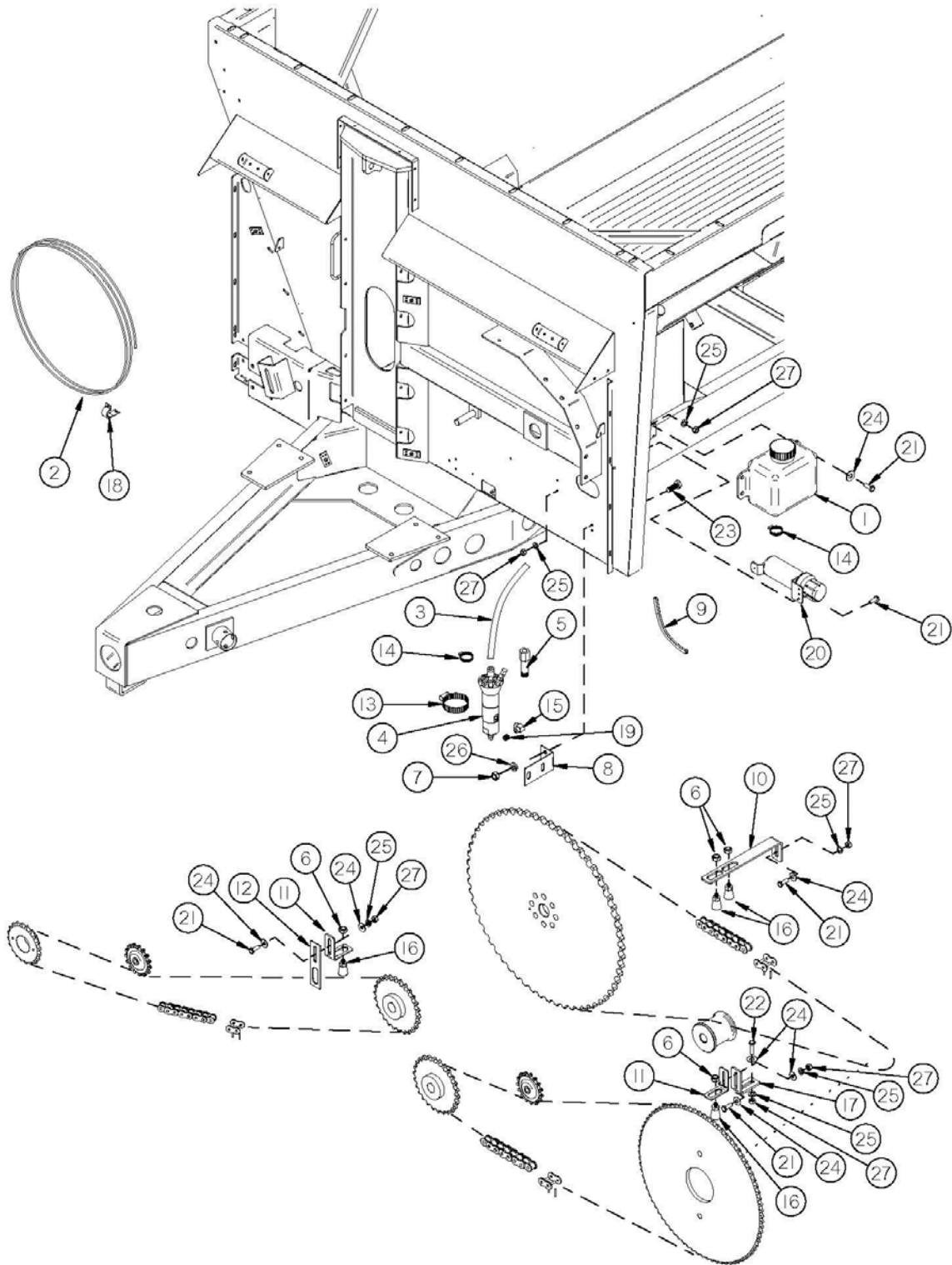


FIGURE 10

OILER KIT

<u>ITEM</u>	<u>QTY</u>	<u>PART #</u>	<u>DESCRIPTION</u>
1	1	HGV63	RESERVOIR
2	1	HGV71	OIL TUBE
3	1	HGV66	FILLER HOSE
4	1	HGV82	PUMP (COMPLETE)
5	4	HGV84	170-4515 MANIFOLD ASSEMBLY
6	4	YNHX16005	HEX NUT, 1/2"
7	4	YNHX12005	HEX NUT, 3/8"-16
8	1	HGV68	PUMP MOUNT BRACKET
9	1	HGV77	EDGING
10	1	TS322	EXTRA LONG BRUSH BRACKET
11	2	TS98	OILER BRUSH BRACKET SINGLE
12	1	HGV70	BRACKET MOUNT
13	1	HGV74	2" HOSE CLAMP
14	2	HGV75	1" HOSE CLAMP
15	1	HGV65	O-RING/JIC ELBOW
16	4	HGV67	BRUSH
17	1	TS321	OILER HANGER 1
18	2	HGV162	1/2" RUBBER WIRE HOLDER
*	2	TS269	1/4" RUBBER WIRE HOLDER
*	2	YSHW08005	ROLLING SCREW, 1/4"-20 X 3/8", HEX WASHER HEAD Z THREAD, UNSLOTTED
19	1	TS198	ORIFICE .015 (4XHX7-S)
20	1	S522	MANUAL HOLDER
21	10	YBHH08100	BOLT, 1/4" X 3/4" GR. 5
22	1	YBHH08010	BOLT, 1/4" X 1" GR. 5
23	2	YBHH12135	BOLT, 3/8" X 3/4" GR. 5
24	10	YWFL08005	WASHER, FLAT, 1/4" USS
25	11	YWLO08005	WASHER, LOCK, 1/4"
26	2	YWLO12005	WASHER, LOCK, 3/8"
27	11	YNHX08005	HEX NUT, 1/4"-20

NOTE: * MEANS NOT SHOWN

FIGURE 11

FRONT GREASE LINES

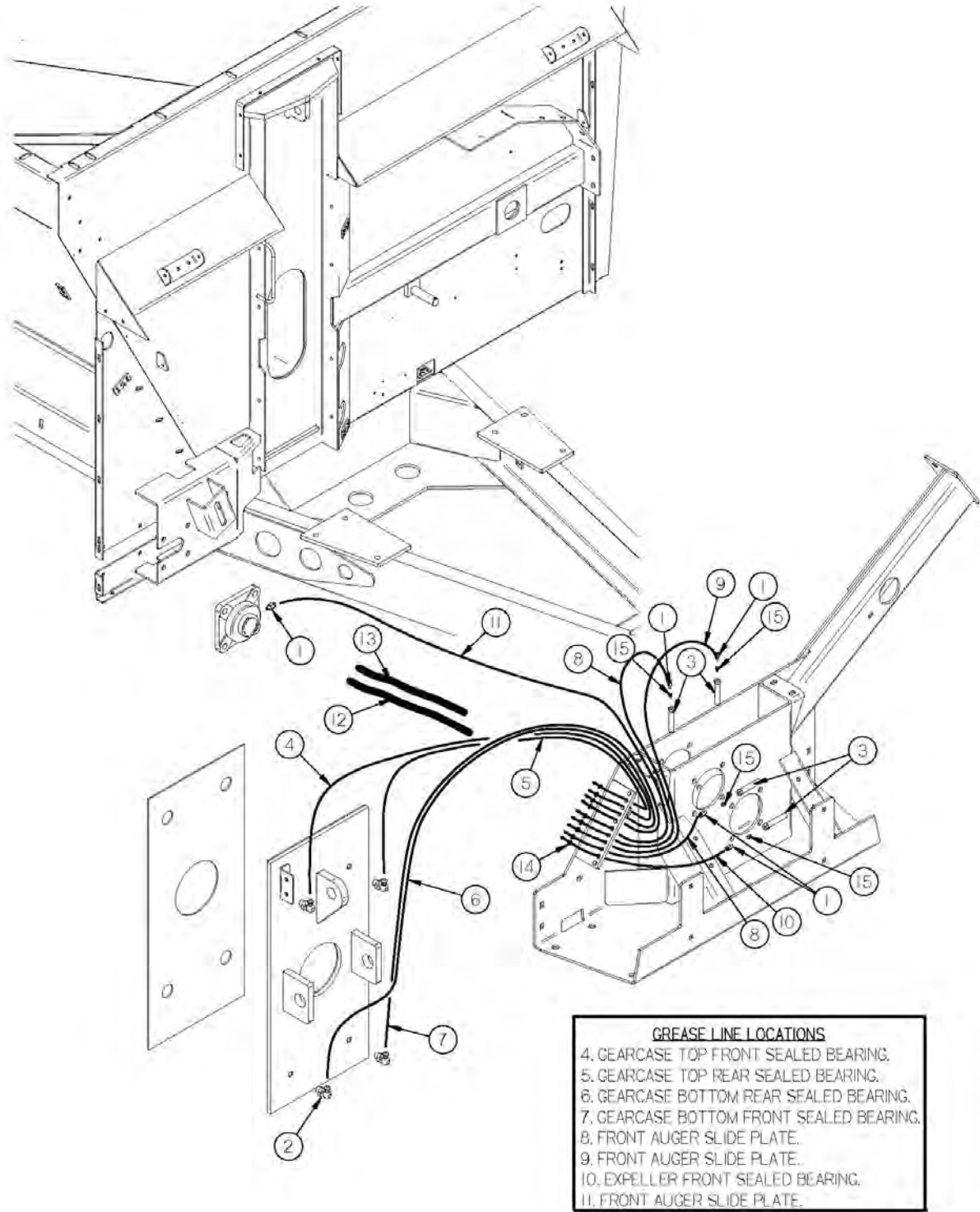


FIGURE 11

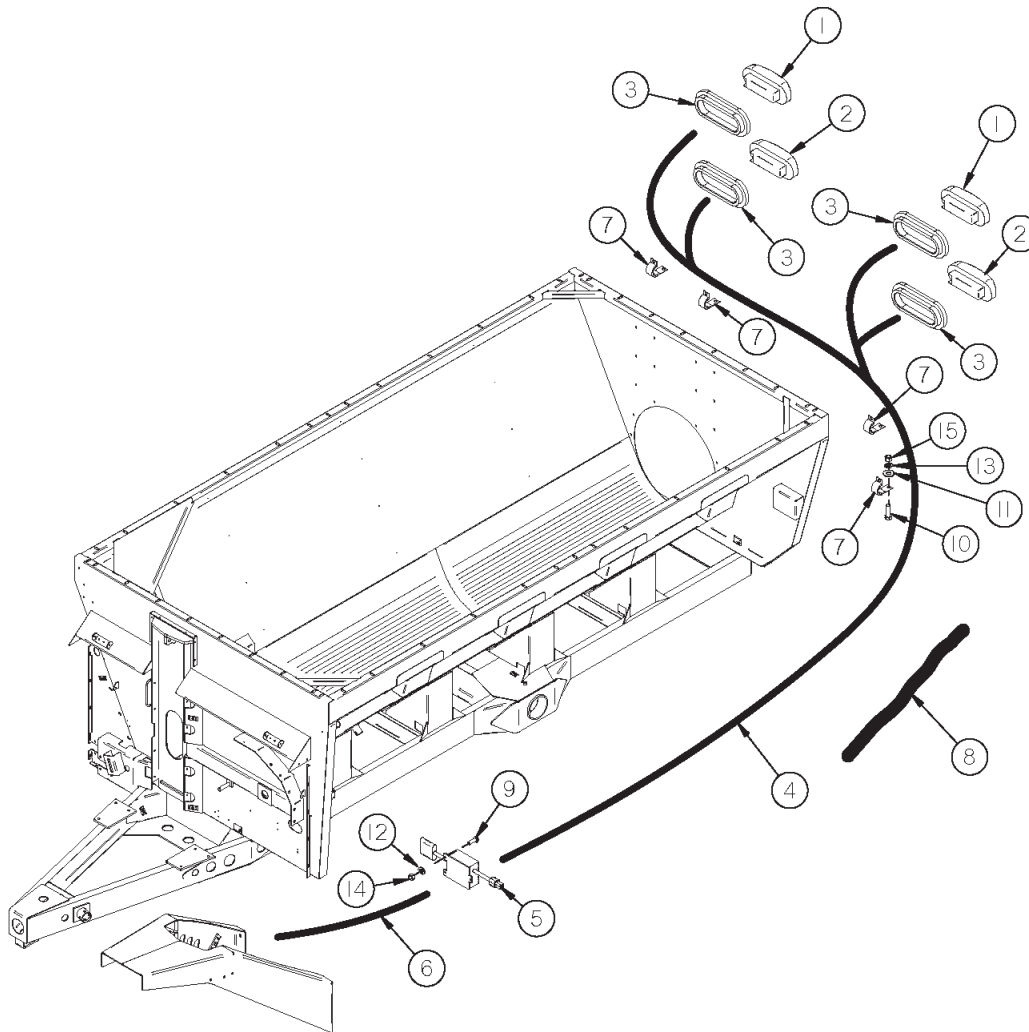
FRONT GREASE LINES

<u>ITEM</u>	<u>QTY</u>	<u>PART #</u>	<u>DESCRIPTION</u>
1	5	66078	COUPLING, 1/8" FEMALE PIPE & 1/8" FEMALE PIPE
2	4	GM30	1/8" 90° GREASE LINE ADAPTER
3	4	66077	NIPPLE, 1/8" MALE PIPE X 2-1/2"
4	1	TS265	GREASE LINE - 81
5	1	TS266	GREASE LINE - 82
6	1	TS267	GREASE LINE - 97
7	1	TS268	GREASE LINE - 101
8	2	TS270	GREASE LINE - 10.5
9	1	TS271	GREASE LINE - 16
10	1	TS272	GREASE LINE - 17.5
11	1	TS273	GREASE LINE - 47.75
12	1	TS246	SPLIT LOOM 3/4" X 18"
13	1	TS332	SPLIT LOOM 3/4" X 14"
*	2	HGV72	3/4" RUBBER WIRE HOLDER
14	10	YNML99005	M10-1.0 JAM NUT A2 SS
15	4	66079	HEX ADAPTER, 1/4" FEMALE & 1/8" FEMALE PIPE

NOTE: * MEANS NOT SHOWN

FIGURE 12

LIGHTING

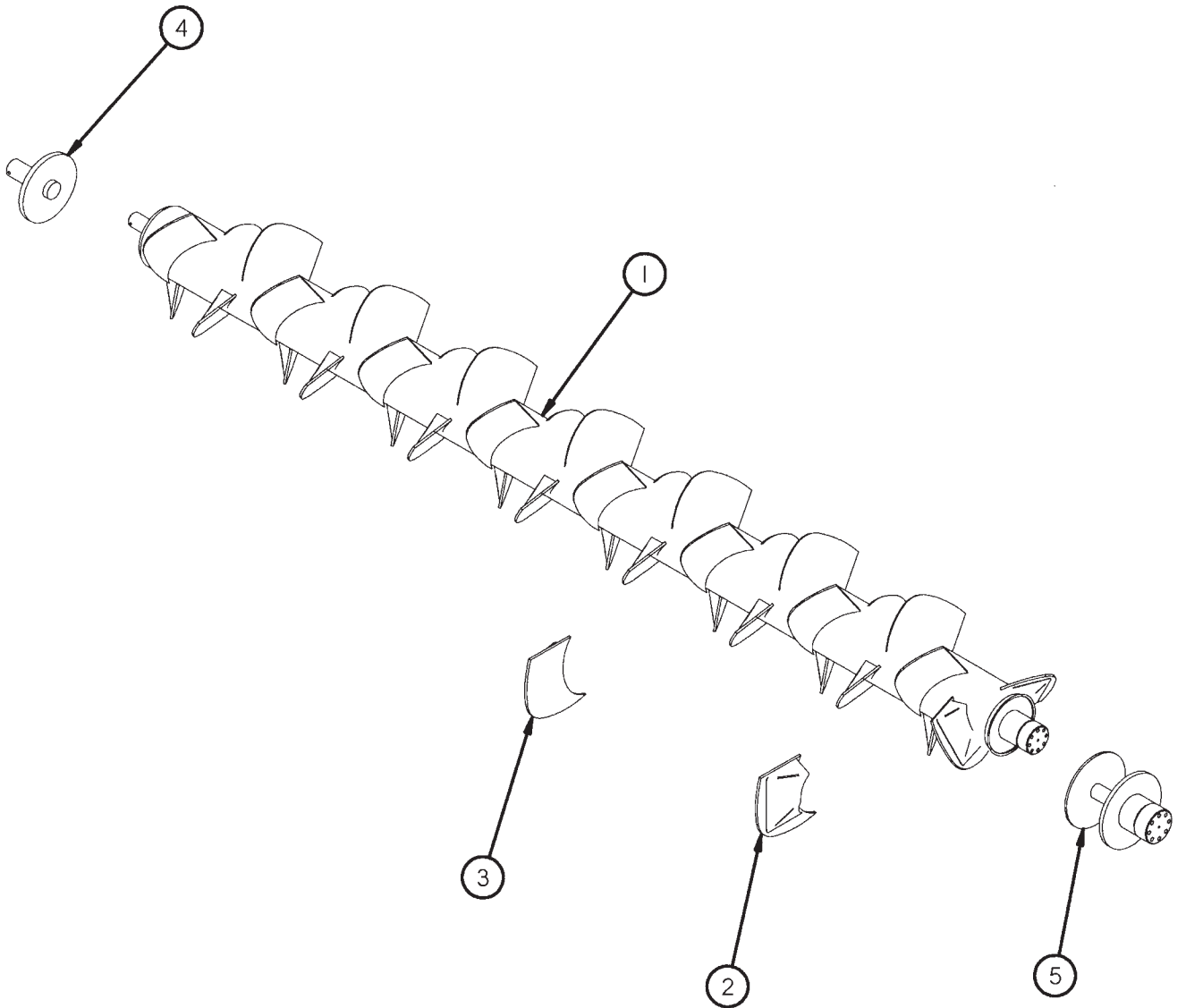


<u>ITEM</u>	<u>QTY</u>	<u>PART #</u>	<u>DESCRIPTION</u>
1	2	S309	YELLOW HAZARD LIGHT
2	2	S310	RED TAIL LIGHT
3	4	S308	RUBBER LIGHT MOUNT
4	1	56N155	TAIL LIGHT LOOM
5	1	69908	MODULE, CONTROL, BLINKER
6	1	TS317	HARNESS MODULE TO TRACTOR
7	4	HGV162	1/2" RUBBER WIRE HOLDER
8	1	TS129	SPIRAL WRAP, 30"
9	3	YSPP64010	#10-32 X 1" PHILLIPS HEAD MACHINE SCREW
10	4	YBHH10105	BOLT, 5/16" X 3/4" GR. 5
11	4	YWFL10005	WASHER, FLAT, 5/16"
12	3	YWLO08005	WASHER, LOCK, 1/4"
13	4	YWLO10005	WASHER, LOCK, 5/16"
14	3	YNHX64005	HEX NUT, #10-32
15	4	YNHX10005	HEX NUT, 5/16"

NOTE: * MEANS NOT SHOWN

FIGURE 13

AUGER



<u>ITEM</u>	<u>QTY</u>	<u>PART #</u>	<u>DESCRIPTION</u>
1	1	TS200	AUGER
2	2	TS275	AUGER PADDLE FRONT
3	37	TS276	AUGER PADDLE REAR
4	1	TS277	AUGER REAR ASSEMBLY
5	1	TS278	AUGER INPUT SHAFT

FIGURE 14

GEARBOX

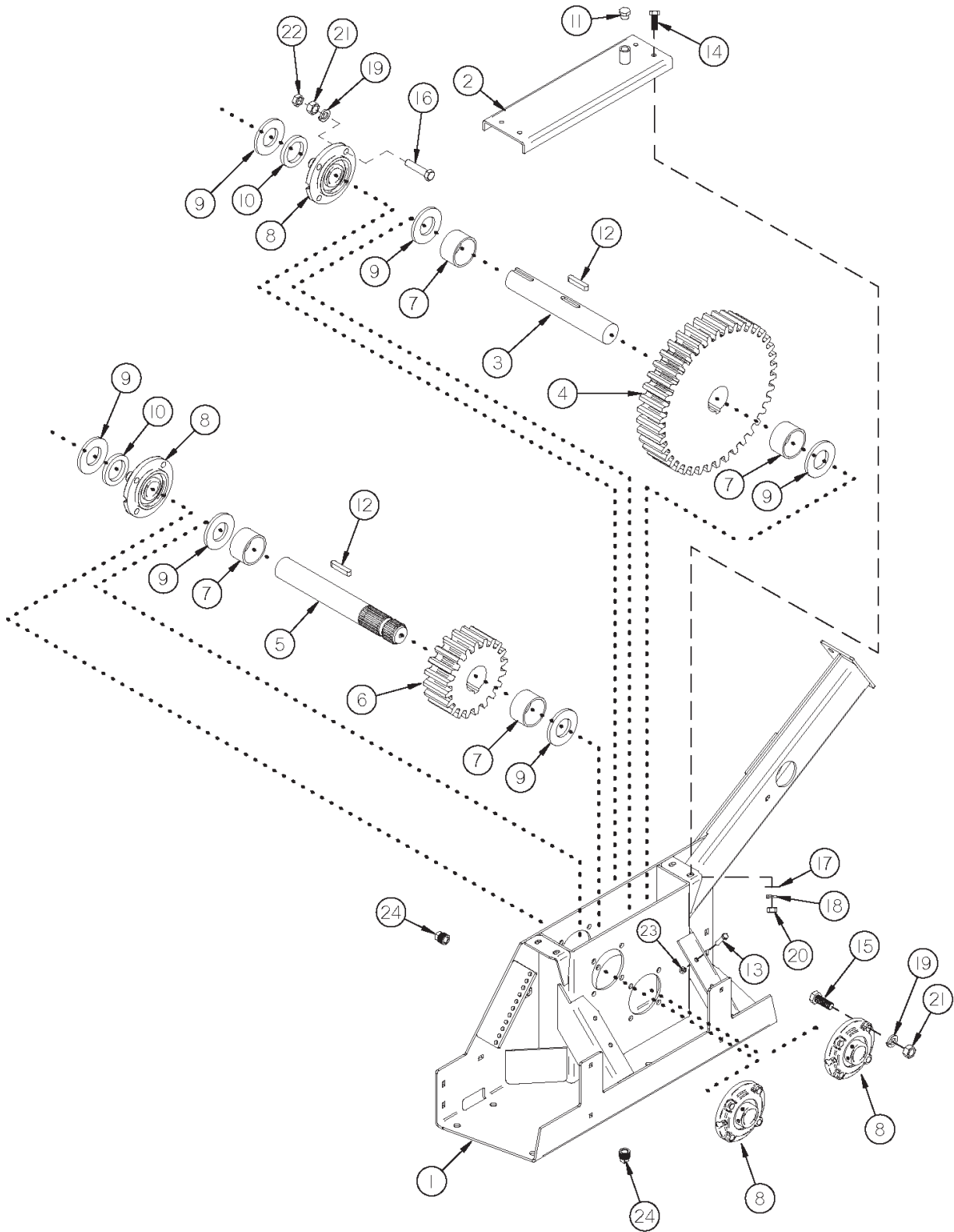


FIGURE 14

GEARBOX

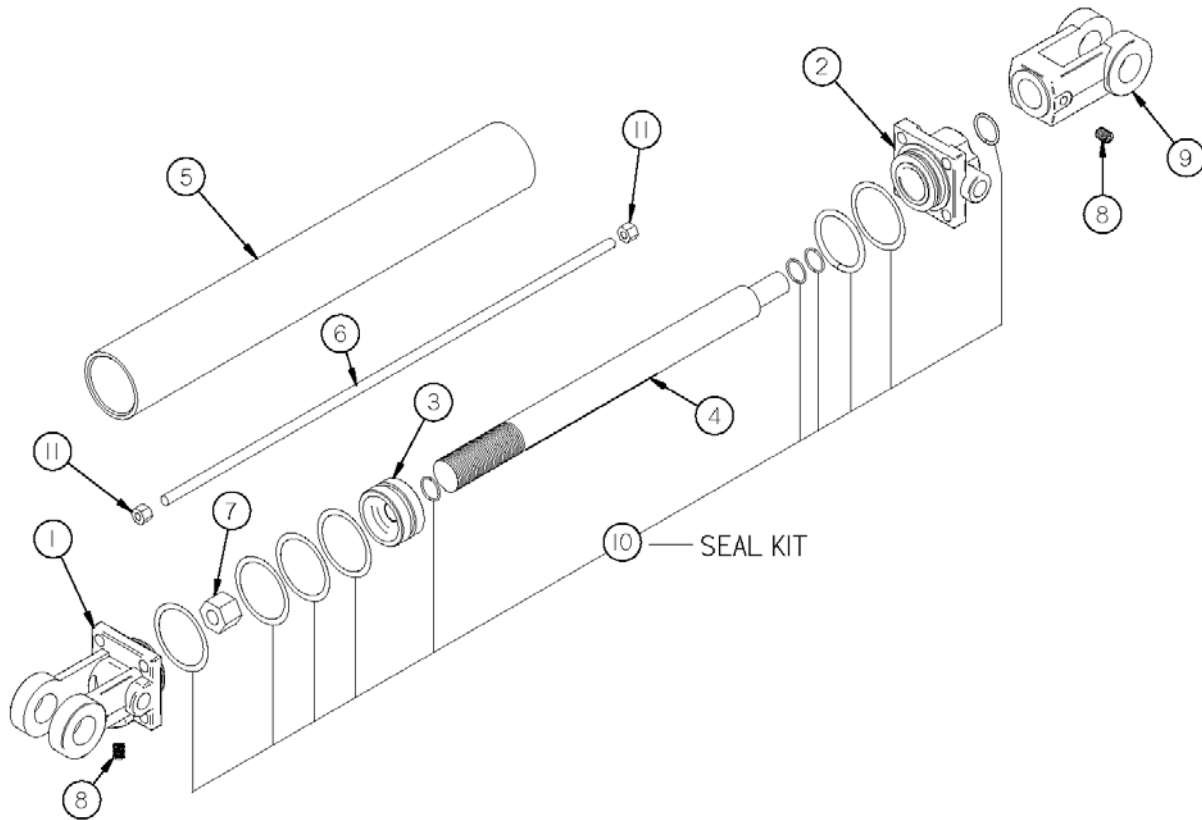
<u>ITEM</u>	<u>QTY</u>	<u>PART #</u>	<u>DESCRIPTION</u>
1	1	TS240	GEARBOX
2	1	TS279	GEARBOX COVER
3	1	TS280	SECONDARY SHAFT
4	1	TS281	SPUR GEAR 40 TOOTH
5	1	TS282	SPLINED INPUT SHAFT
6	1	TS283	SPUR GEAR 20 TOOTH
7	4	TS284	BUSHING
8	4	TS285	BEARING
9	A/R	TS286	SHIM, 1/32" THICK
10	A/R	S36	SHIM, 3/16" THICK
*	A/R	S409	SHIM, 1/8" THICK
11	1	SD134	VENT PLUG
12	2	56N174	3/8" X 2" SQUARE KEY, ROUND ENDS (HARDENED)
13	4	YBHH10075	BOLT, 5/16" X 2" GR. 8
14	4	YBHH12010	BOLT, 3/8" X 1" GR. 5
15	15	YBHH16065	BOLT, 1/2" X 2" GR. 5
16	1	YBHH16080	BOLT, 1/2" X 2-1/2" GR. 5
17	4	YWFL12005	WASHER, FLAT, 3/8" USS
18	4	YWLO12005	WASHER, LOCK, 3/8"
19	16	YWLO16005	WASHER, LOCK, 1/2"
20	4	YNHX12005	HEX NUT, 3/8"-16
21	16	YNHX16005	HEX NUT, 1/2"
22	1	YNJM16005	HEX NUT, JAM, 1/2"-13
23	4	YNTL10005	HEX NUT, TOP LOCK, 5/16"-18
24	2	DWM159	3/4" PIPE PLUG
*	1	APX3AS07	GEARBOX COMPLETE

NOTE: * MEANS NOT SHOWN

A/R: MEANS AS REQUIRED

FIGURE 15

AUGER FRONT & REAR HYDRAULIC CYLINDER

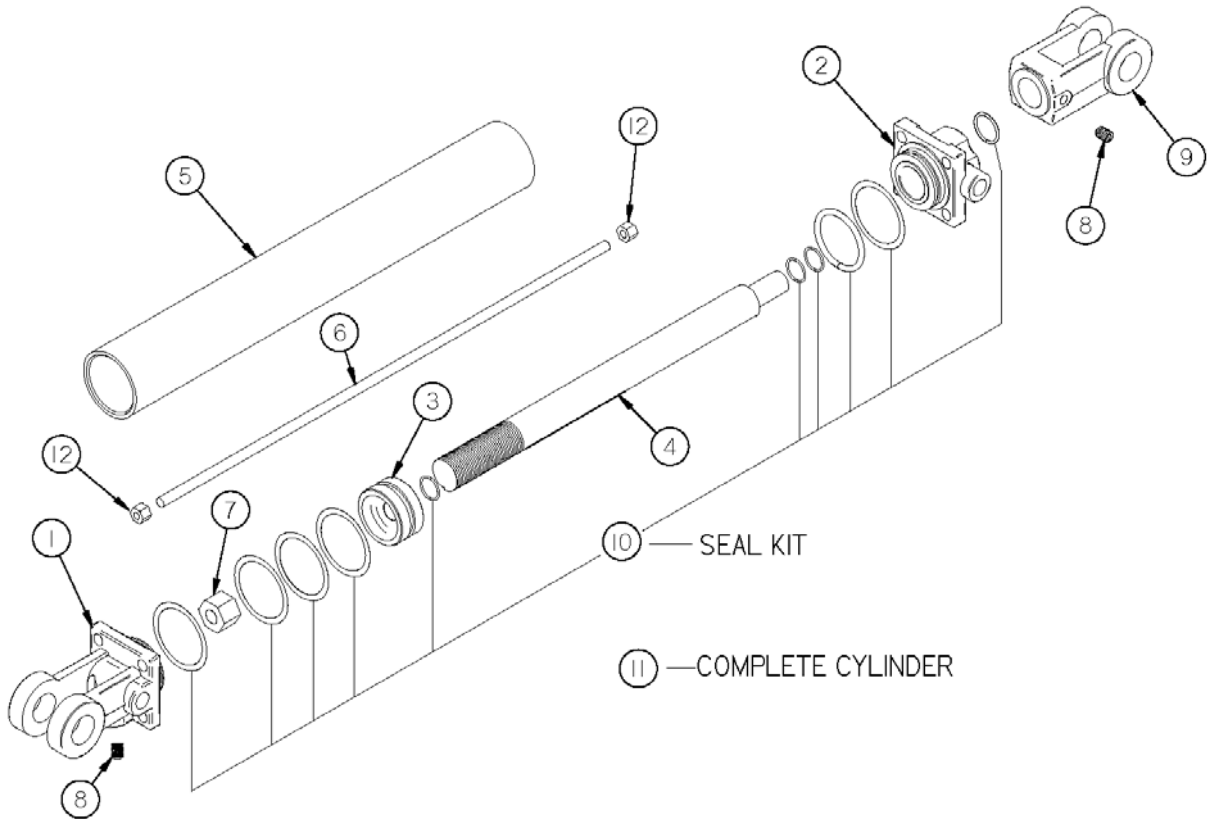


<u>ITEM</u>	<u>QTY</u>	<u>PART #</u>		<u>DESCRIPTION</u>
		<u>3" BORE</u>	<u>3-1/4" BORE</u>	
1	1	TS160	TS176	BASE (3/4-16 SAE PORT)
2	1	TS158	TS174	HEAD (3/4-16 SAE PORT)
3	1	TS159	TS175	PISTON NUT
4	1	TS156	TS172	ROD
5	1	TS157	TS173	TUBE
6	4	TS153	TS171	TIE ROD
7	1	TS145	TS166	PISTON NUT
8	1	TS152	"	PLUG ASSY (3/4-16 SAE)
9	1	TS155	"	CLEVIS ASSEMBLY
10	1	TS163	TS177	SEAL KIT
11	8	TS144	TS165	TIE ROD NUT

NOTE: " MEANS SAME AS PREVIOUS MODEL

FIGURE 16

EXPELLER DOOR HYDRAULIC CYLINDER

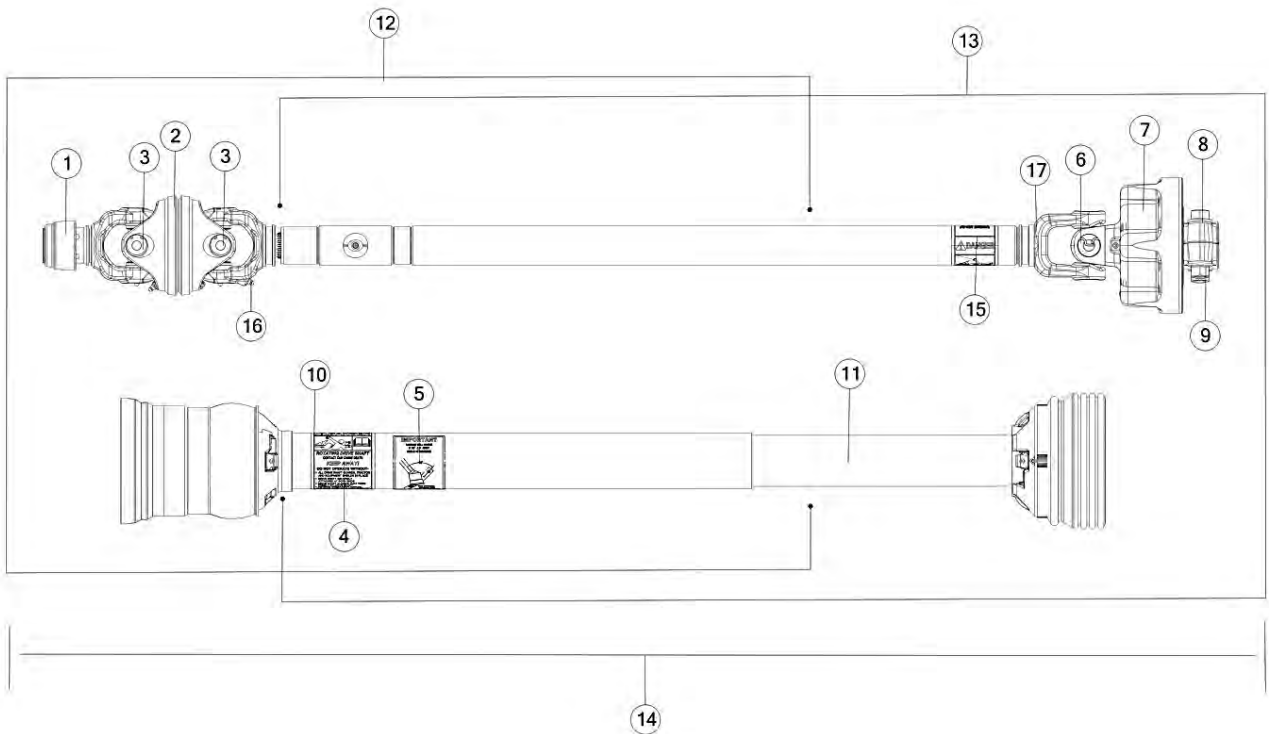


<u>ITEM</u>	<u>QTY</u>	<u>PART #</u>	<u>DESCRIPTION</u>
1	1	23N142A	CLEVIS CAP
2	1	23N143	ROD CAP
*	1	56174	ROD CAP
3	1	23N144	PISTON
*	1	56180	PISTON
4	1	23N145A	ROD
5	1	23N146	CYLINDER TUBE
6	4	23N147	TIE ROD
7	1	23N148	PISTON NUT
8	2	23N149	PLUG
9	1	23N150A	ROD CLEVIS
10	1	23N151	SEAL KIT
*	1	56187	SEAL KIT
11	1	23N111A	COMPLETE HYD. CYL.
*	1	56015	COMPLETE HYD. CYL.
12	8	YNHX12005	HEX NUT, 3/8"-16

NOTE: * MEANS NOT SHOWN

FIGURE 17

PTO (1000RPM 1-3/8)



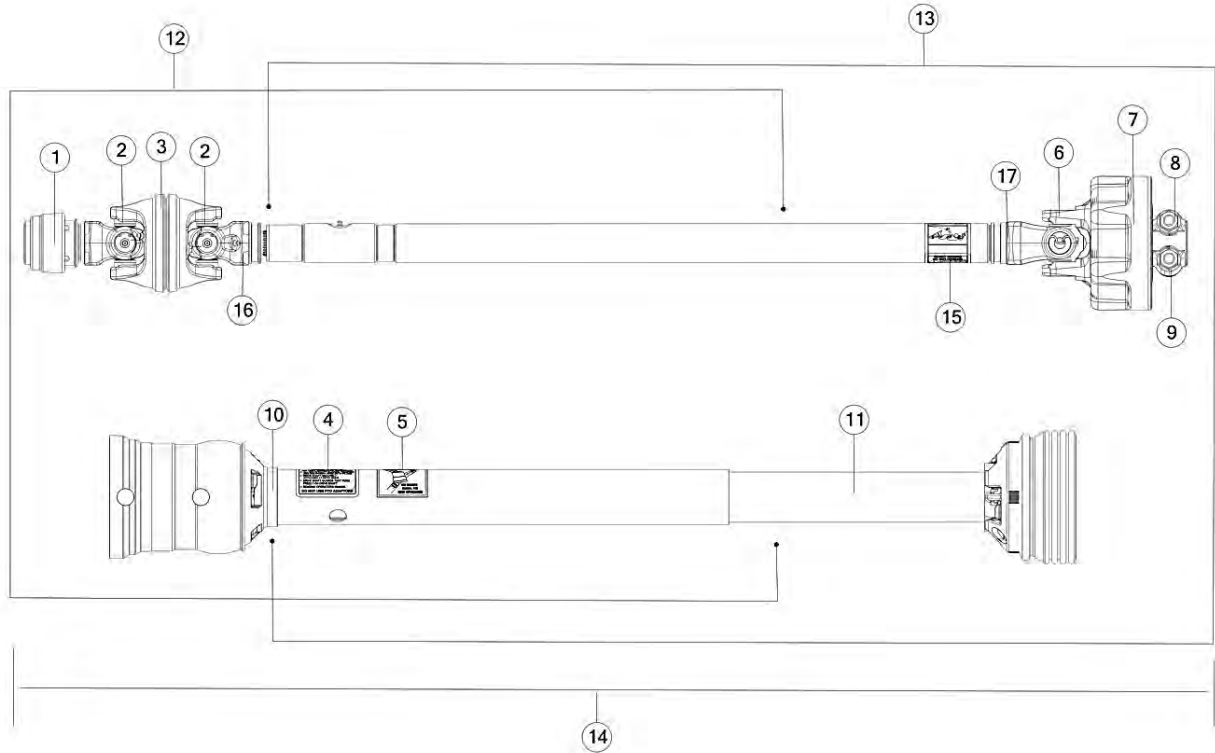
1000RPM (1-3/8)

<u>ITEM</u>	<u>PART #</u>	<u>DESCRIPTION</u>
1	63389	YOKE, 4 80 WWCV, AUTO-LOC
2	TS180	CENTER HOUSING
3	TS179	CROSS KIT
4	1494L	SAFETY SIGN
5	16SV286	SAFETY SIGN (C.V INSTRUCTIONAL DECAL)
6	16SV179	35R CROSS & BEARING KIT
7	70562	PTO, CLUTCH 35 AUTO, 15900 IN-LBF MIN.
8	YBFB20040	BOLT, FLANGE, 5/8-11 X 3.00, GR. 8
9	YNFG20005	HEX NUT, FLANGED-LOCK, 5/8-11
10	TS288	OUTER GUARD
11	70570	SHLD, PTO SHAFT INNER GUARD
12	TS292	JOINT & SHAFT HALF ASSM W/ GUARD
13	70576	PTO, JOINT & SHAFT HALF, GUARDED, 1000 RPM
14	70324	PTO, 1000 RPM, 19500 IN-LBF, AUTO
15	16SV388	SAFETY SIGN
16	63390	YOKE & SHAFT (1.31-20 SPLINE)
17	70569	PTO, YOKE, TUBE & SLIP SLEEVE, 1000 RPM
*	16SV274	SAFETY SLIDE LOCK REPAIR KIT
*	16SV383	GUARD REPAIR KIT
*	S402	ADMA SAFETY MANUAL

NOTE: * MEANS NOT SHOWN

FIGURE 18

PTO (1000RPM 1-3/4)



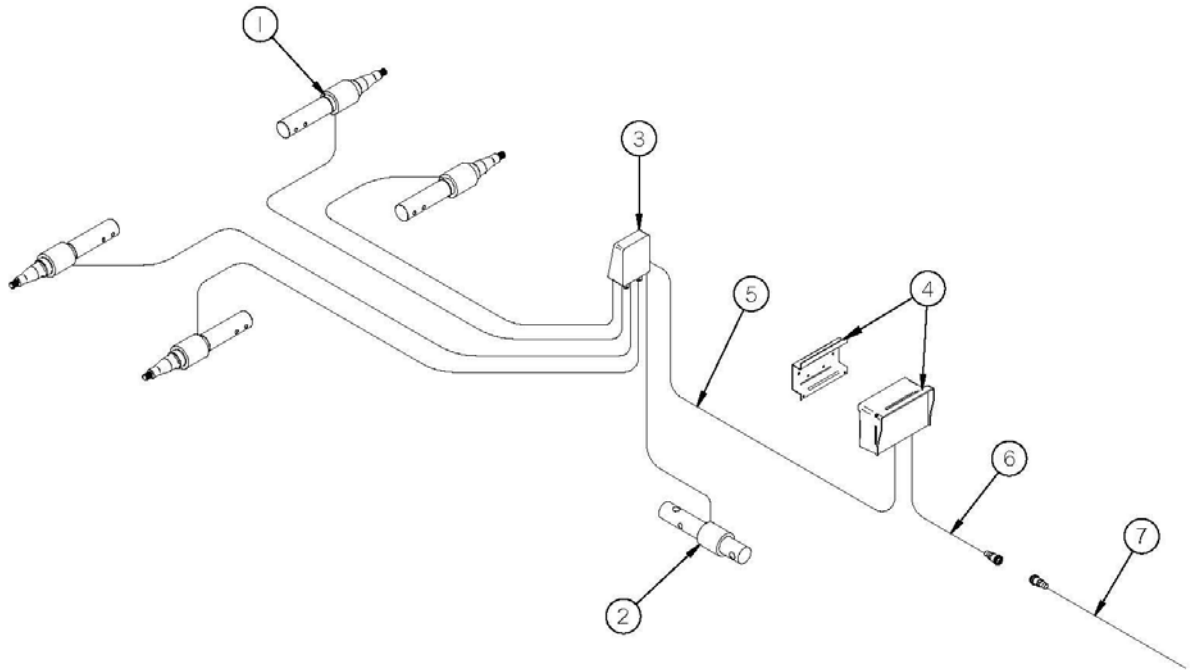
1000RPM (1-3/4)

<u>ITEM</u>	<u>PART #</u>	<u>DESCRIPTION</u>
1	TS193	AUTO LOK YOKE ASSEMBLY
2	TS179	CROSS KIT
3	TS180	CENTER HOUSING
4	1494L	DECAL, SAFETY SIGN
5	16SV286	SAFETY SIGN (C.V INSTRUCTIONAL DECAL) 35R
6	16SV179	CROSS & BEARING KIT
7	70562	PTO, CLUTCH 35 AUTO, 15900 IN-LBF MIN.
8	YNFG20005	HEX NUT, FLANGED-LOCK, 5/8-11
9	YBFB20040	BOLT, FLANGE, 5/8-11 X 3.00, GR. 8
10	TS288	OUTER GUARD
11	70570	SHLD, PTO SHAFT INNER GUARD
12	TS296	JOINT & SHAFT HALF ASSM. W/GUARD
13	70576	PTO, JOINT & SHAFT HALF, GUARDED, 1000 RPM
14	70328	PTO, 1000 RPM, 19500 IN-LBF, AUTO
15	16SV388	SAFETY SIGN
16	63390	YOKE & SHAFT (1.31-20 SPLINE)
17	70569	PTO, YOKE, TUBE & SLIP SLEEVE, 1000 RPM
*	16SV383	GUARD REPAIR KIT
*	16SV275	SAFETY SLIDE LOCK REPAIR KIT
*	S402	ADMA SAFETY MANUAL

NOTE: * MEANS NOT SHOWN

FIGURE 19

SCALE



<u>ITEM</u>	<u>QTY</u>	<u>PART #</u>	<u>DESCRIPTION</u>
1	4	TS334	SPINDLE LOAD CELL
*	4	TS335	SPINDLE LOAD CELL (FOR OPTIONAL TANDEM)
2	1	TS336	HITCH LOAD CELL
3	1	TS83	JUNCTION BOX
4	1	GM408	BRKT IND MTG 840459
*	1	TS337	SCALE DISPLAY W/GPS (OPTIONAL)
5	1	TS338	JUNCTION BOX CORD
6	1	TS385	POWER CORD
7	1	16SV269	TRACTOR POWER CORD

NOTE: * MEANS NOT SHOWN

FIGURE 20

COVER COMPONENTS

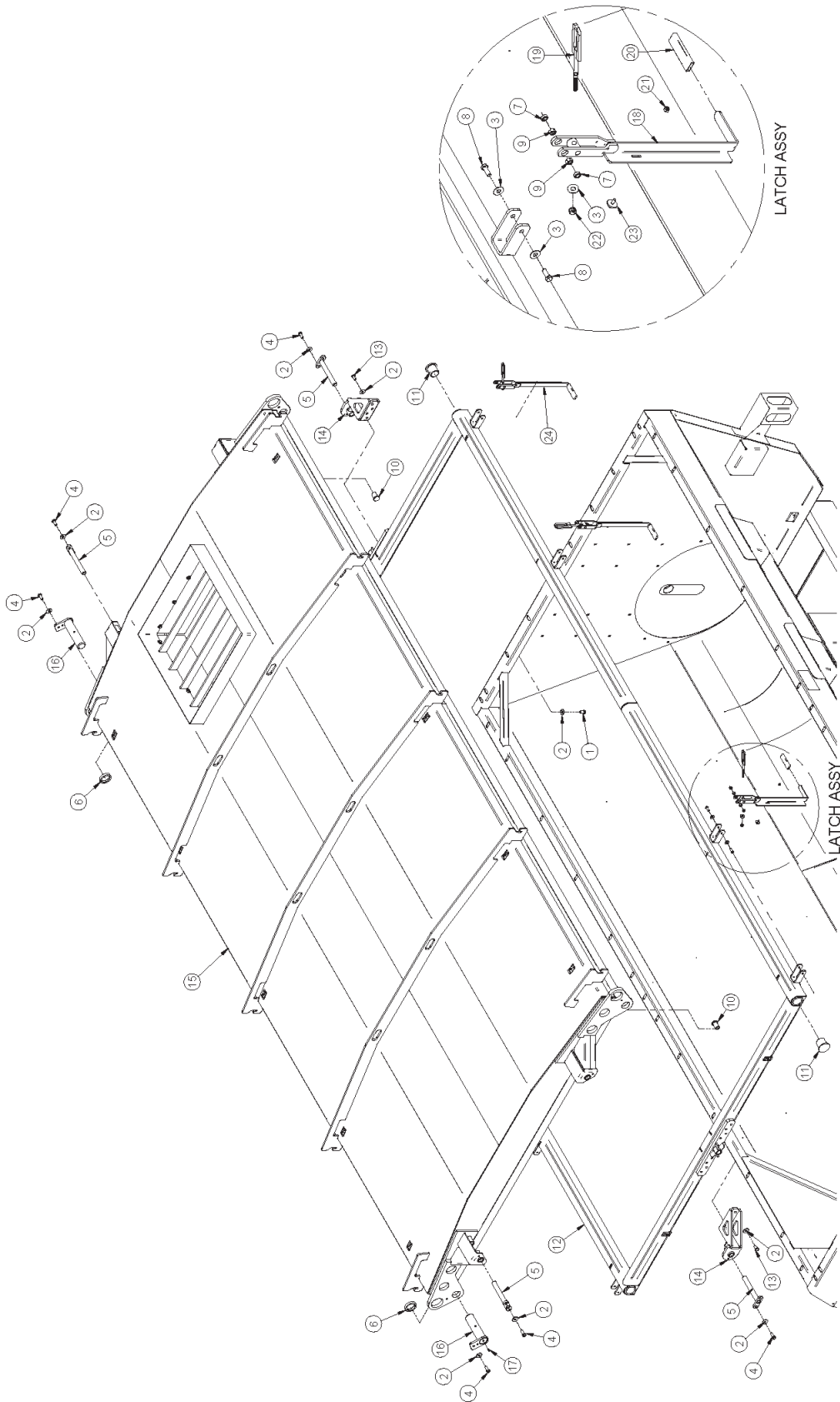


FIGURE 20

COVER COMPONENTS

<u>ITEM</u>	<u>QTY</u>	<u>PART #</u>	<u>DESCRIPTION</u>
1	46	YBHH16010	1/2 X 1 HEX BOLT
2	56	YWFL16005	1/2" FLAT WASHER
3	12	YWFL12005	FLAT WASHER, 3/8", GR. 5
4	2	YBHH16045	BOLT, 1/2" X 1-1/4" GR. 5
5	4	0229WE05	0229 CYLINDER PIN HANDLE WELDMENT
6	2	0229TU05	HINGE SPACER
7	8	GM180	DOOR PIVOT
8	8	YBHH12010	3/8-16 x 1 HEX CAP SCREW GRADE 5
9	8	YNRL12005	HEX NUT, REVERSIBLE-SIDE LOCK, 3/8-16
10	2	0229MS06	0229 PIPE PLASTIC END PLUG 1.00
11	2	0229MS04	0229 PIPE PLASTIC END PLUG
12	1	0229WE13	0229 5134 TOP SHOT SUBFRAME WELDMENT
13	8	YBHH16012	BOLT, 1/2-13 X 1 GR 8
14	2	0229WE12	CYLINDER BASE MOUNT WELDMENT
15	1	0229WE01	FRAME WELDMENT
16	2	0229WE03	0229 HINGE PIN ASSY-RF
17	2	BFR28	1/8 NPT STRAIGHT GREASE ZERK
18	2	0229WE07	LID LATCH, RIGHT
*	2	0229WE20	LID LATCH, LEFT
19	4	0229WE08	DOOR HOOK
20	4	GM370	HANDLE GRIP 1-1/2 X 4
21	4	YNNY08005	HEX NUT, NYLON LOCKNUT, 1/4-20
22	4	YNNY12005	3/8-16 GR.5 NYLOCK NUT
23	4	1022	0229 RUBBER BUMPER
24	2	0229AS03	LATCH ASSEMBLY LEFT
*	2	0229AS08	LATCH ASSEMBLY RIGHT

NOTE: * MEANS NOT SHOWN

FIGURE 21

COVER HYDRAULICS

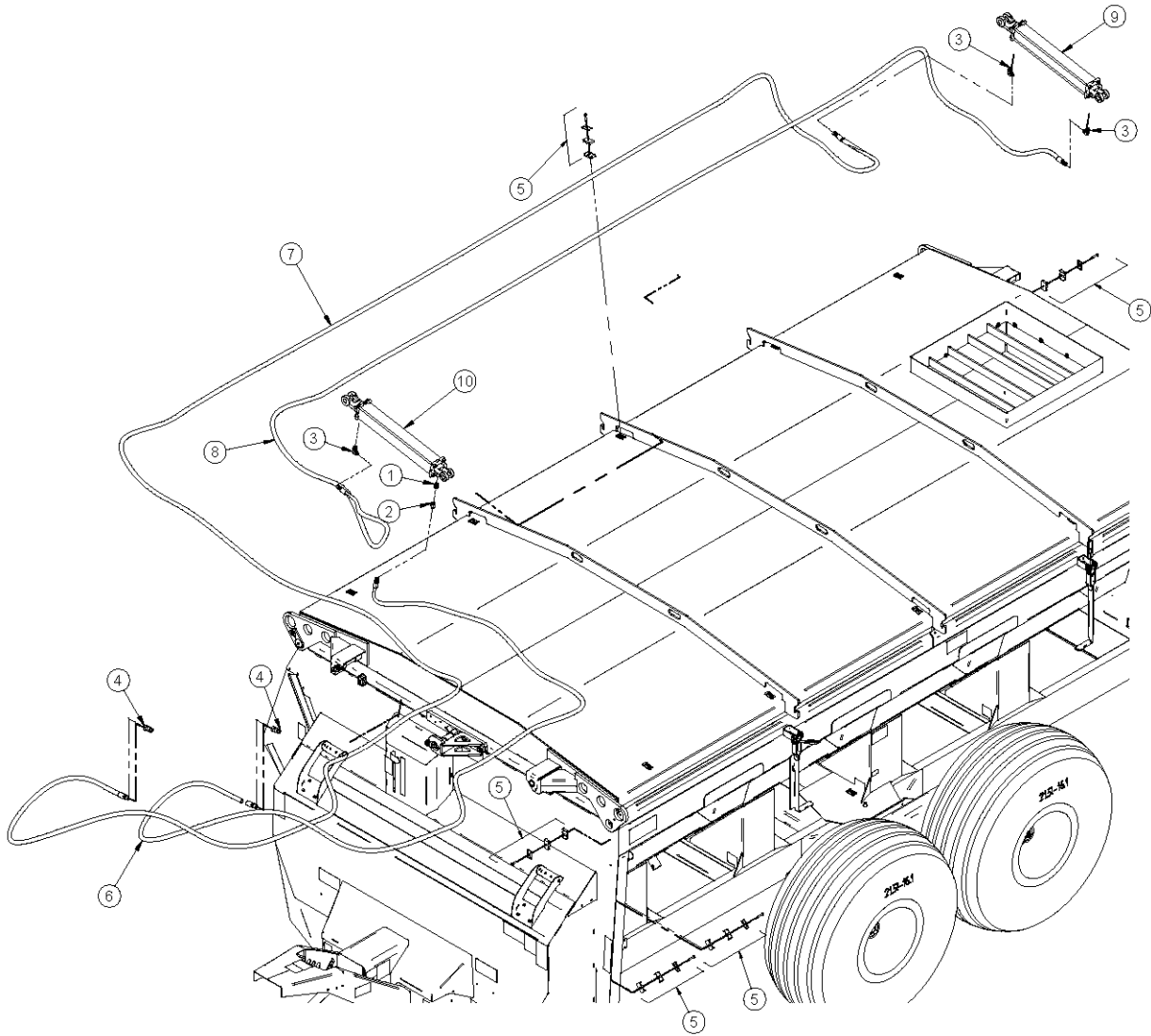


FIGURE 21

COVER HYDRAULICS

<u>ITEM</u>	<u>QTY</u>	<u>PART #</u>	<u>DESCRIPTION</u>
1	1	CHM207	3/8 X 3/4 16 ORB STRAIGHT FITTING
2	1	58143	06-06 M/F ORIFICE, 0.047
3	3	CHM206	06 90 DEG TO 3/4-16 ORB FITTING
4	2	DWM205	QUICK COUPLING MALE
5	12	CHM270	3/8 TWO HOSE CLAMP
6	1	0229MS07	HOSE, TRACTOR TO BASE
7	1	0229MS08	HOSE, REAR ROD TO TRACTOR
8	1	0229MS09	HOSE, FRONT ROD TO REAR BASE
9	1	1020	3 IN X 20 IN STROKE SLAVE CYLINDER
*	-	8266	SLAVE CYLINDER SEAL KIT
10	1	1019	3.25 IN X 20 IN STROKE MASTER CYLINDER
*	-	8267	MASTER CYLINDER SEAL KIT

FIGURE 22
COVER SEAL

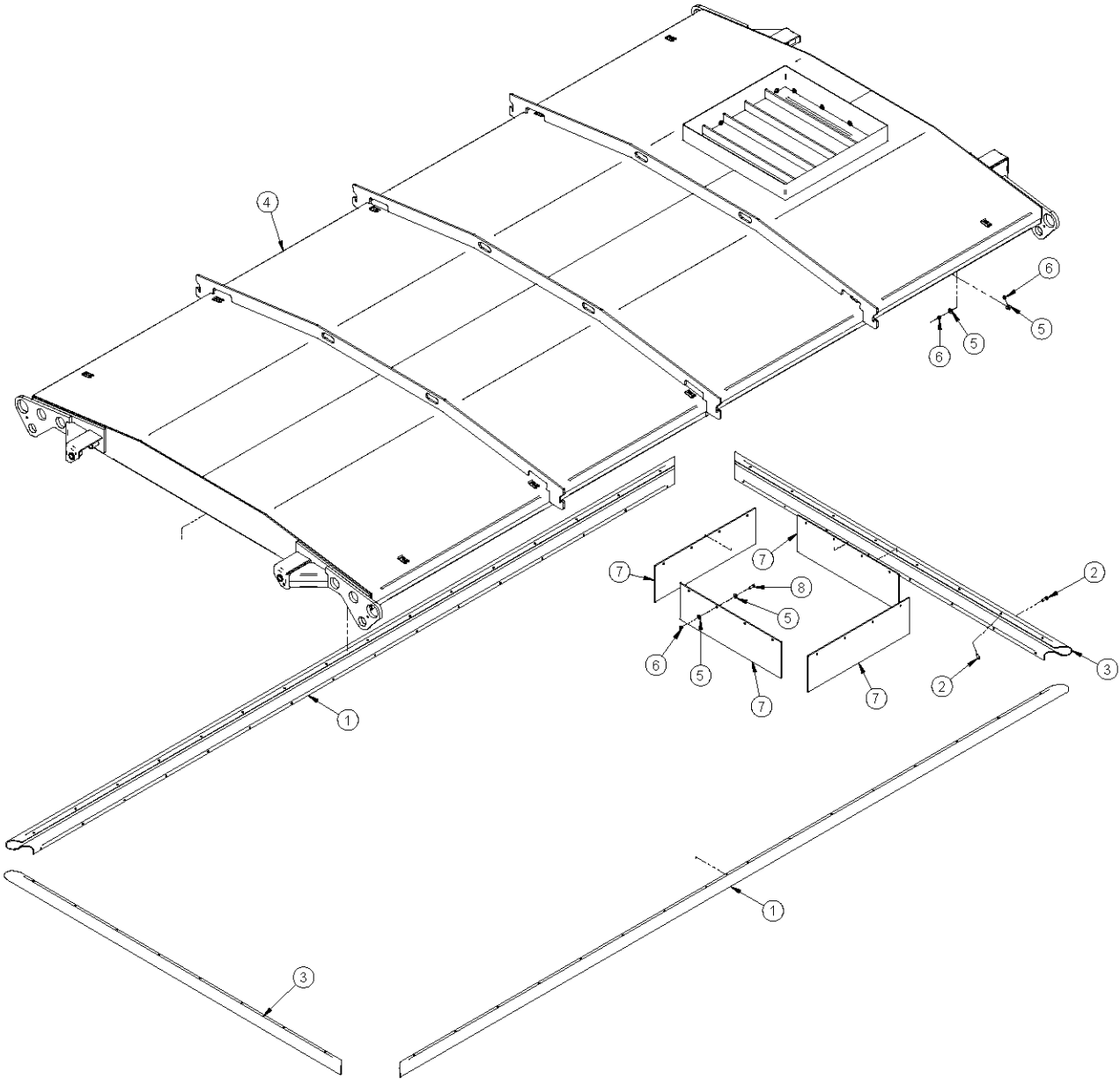


FIGURE 22
COVER SEAL

<u>ITEM</u>	<u>QTY</u>	<u>PART #</u>	<u>DESCRIPTION</u>
1	2	0229MS03	SEAL BELT, LONG
2	96	YBCR12010	CARR. BOLT, 3/8 X 1 GR 5
3	2	0229MS02	SEAL BELT, SHORT
4	1	0229WE01	FRAME WELDMENT
5	128	YWFL12005	FLAT WASHER, 3/8", GR. 5
6	112	YNNY12005	HEX NUT, NYLON LOCKNUT, 3/8"
7	4	0229MS05	BELTING, CHUTE
8	16	YBHH12010	BOLT, 3/8" X 1" GR. 5

H&S MFG. CO.

products approved

for the

FEMA

SEAL OF QUALITY

